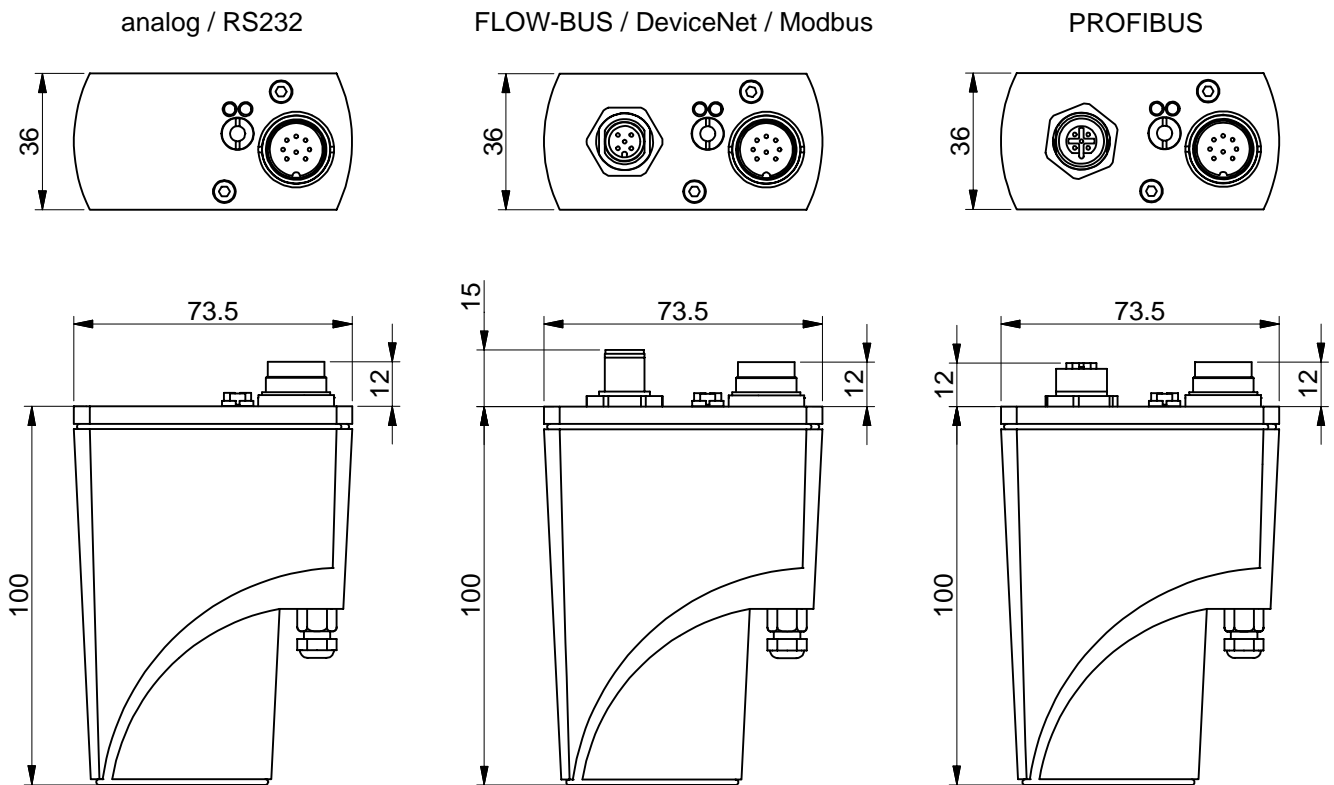
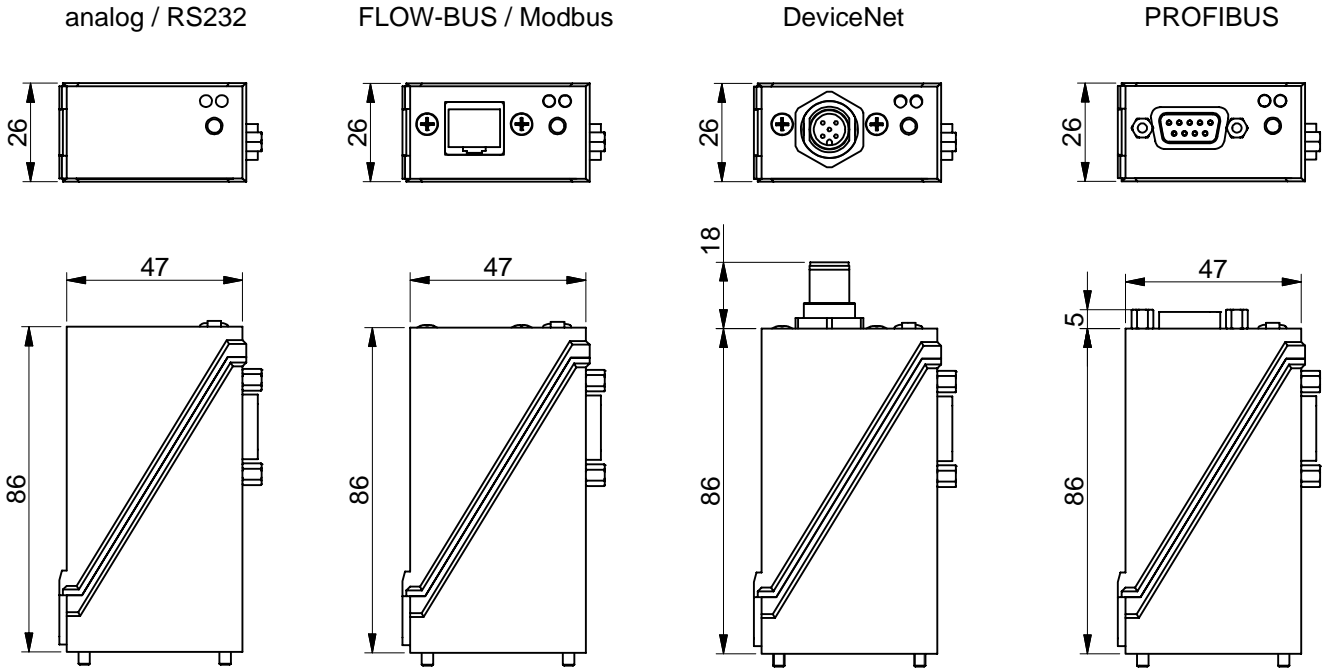


Dimensions digital cases

One of these digital case assemblies replaces the case assembly as drawn in the dimensional drawing. Please note that the height increases when a contra connector is used.



Dimensions are in millimeters unless otherwise mentioned.
 Dimensions subject to change without notice.

Tolerances ± 0.5
 unless otherwise mentioned