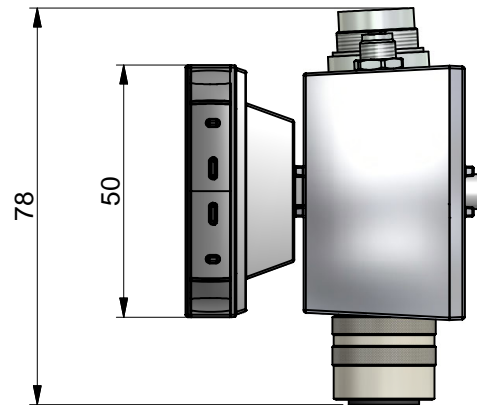
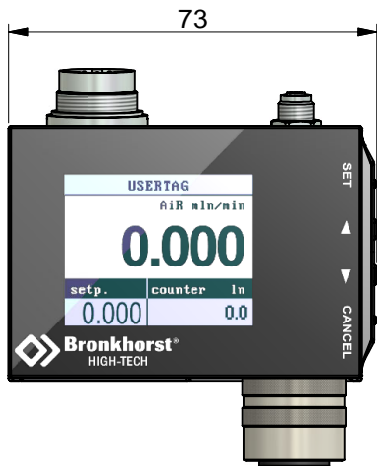
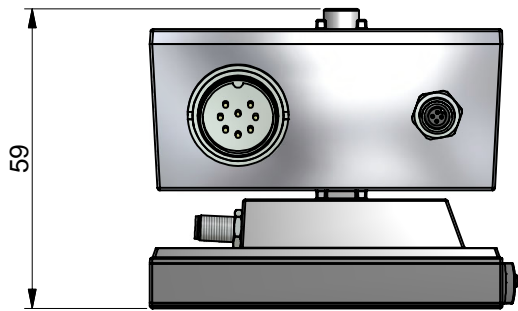
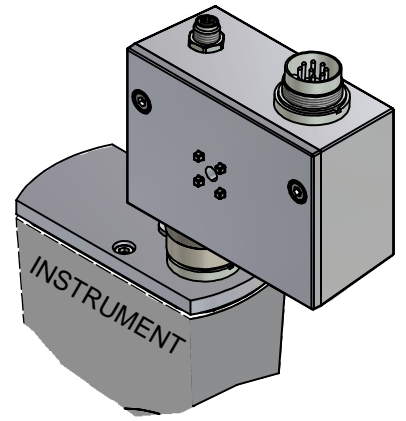
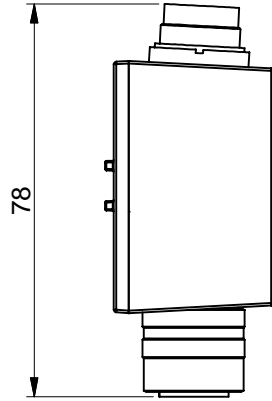
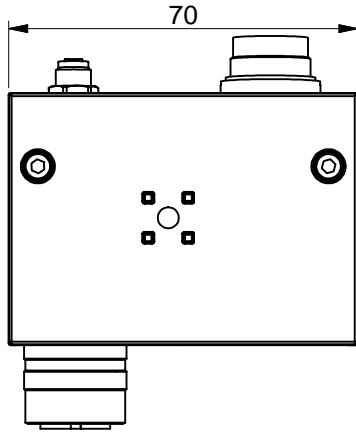
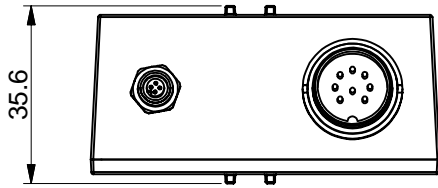
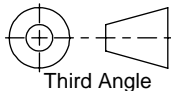



Instrument mounting

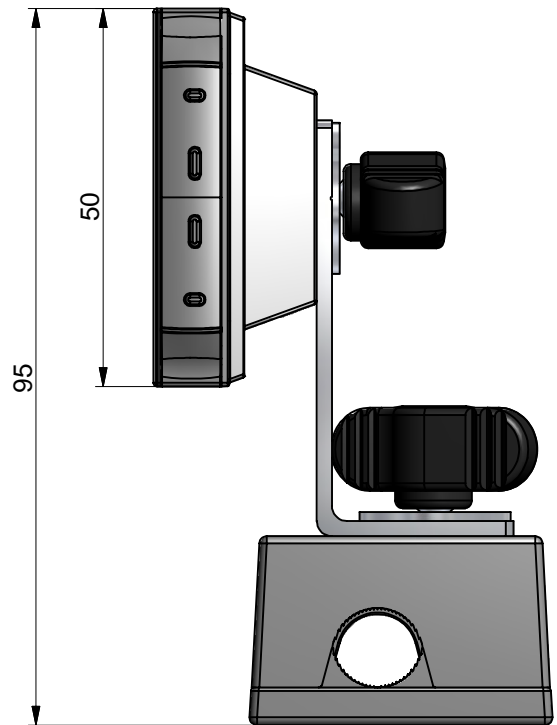
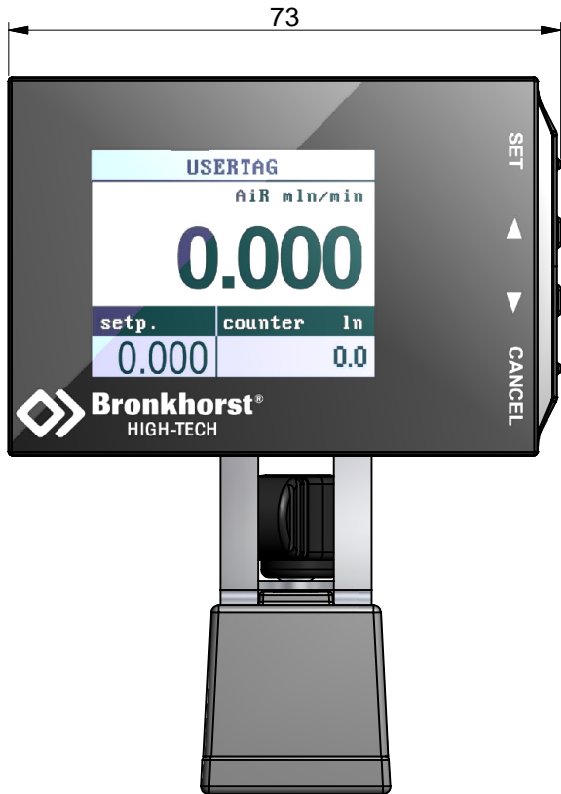
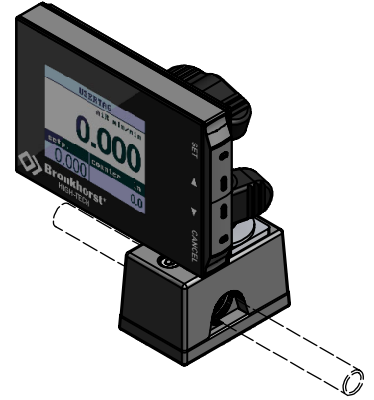
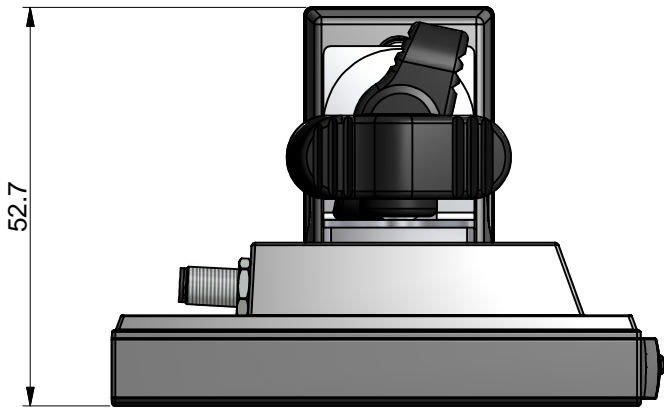


Tolerances  $\pm 0.2$  unless otherwise mentioned

Dimensions subject to change without notice.

Title: Dimensional drawing BRIGHT B4 R/C IP65 + mounting kits		Drawer : J.H.	Revision Description: Instrument mounting added and drawing updated.		
Projection:  Third Angle		Date: 27-03-2007	Checked :		
Dimensions: Metric (mm)		Date: 18-07-2011	Rev. by: B.B.	Scale: 2:3	A4
 WWW.BRONKHORST.COM		Drawing no.: 7.05.678	Rev.: C	Page: 1-2	


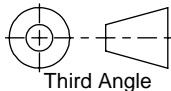
Pipe mounting



BRIGHT on mounting clip assy  
Various positions of the BRIGHT module are possible

Tolerances  $\pm 0.2$  unless otherwise mentioned

Dimensions subject to change without notice.

Title: Dimensional drawing BRIGHT B4 R/C IP65 + mounting kits		Drawer : J.H.	Revision Description: Instrument mounting added and drawing updated.		
		Date: 27-03-2007			
		Checked :			
		Date: 18-07-2011	Rev. by: B.B.	Scale: 1:1	A4
 <p>www.bronkhorst.com</p>		Projection:  Third Angle Dimensions: Metric (mm)	Drawing no.: 7.05.678	Rev.: C	Page: 2-2