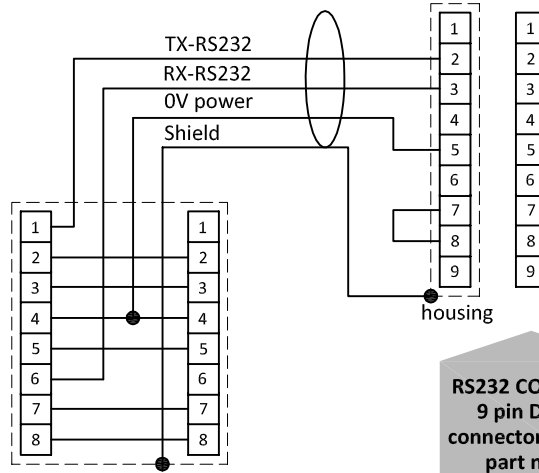


# RS232+Analog I/O

## MULTI-BUS Hook-up diagram

### RS232 connection



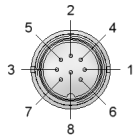
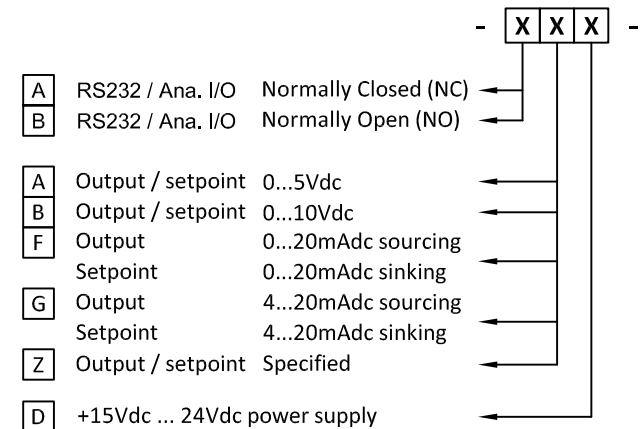
RS232 COM-port  
9 pin D-Sub  
connector chassis  
part male

T-adapter  
cable 7.03.444

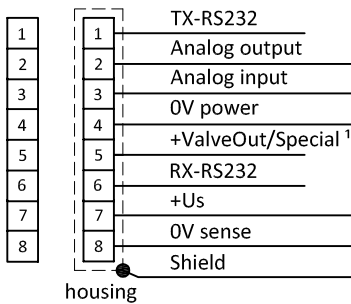
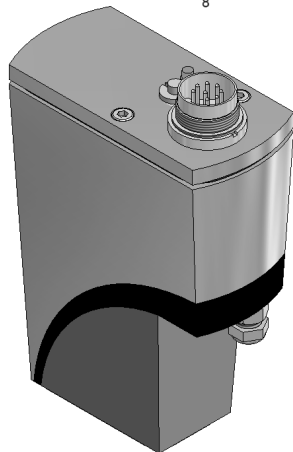
### Types

IN-FLOW / IN-PRESS / LIQUI-FLOW

### Model key explanation



8 DIN connector  
chassis part  
male

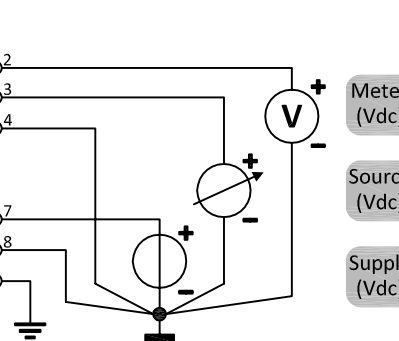


8 DIN  
connector  
chassis part  
male

8 DIN  
connector  
cable part  
female

Note:  
Do not connect an external valve to instruments, set as MFM or EPM.

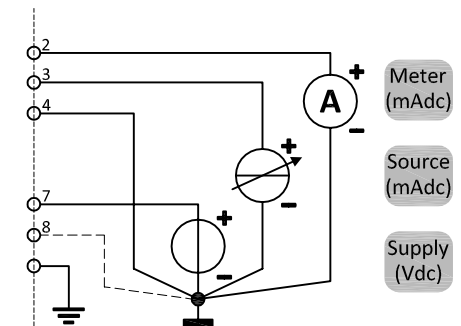
Note:  
<sup>1</sup>) for MBC3 type instruments: +Valve out is 0...10Vdc 1mA



Analog operated  
0...5 or 0...10Vdc

Note:  
0V power (pin 4) and 0V sense (pin 8) should be separately connected to the 0V terminal at the power supply.

Note:  
When using a field bus or RS232, it is not possible to operate the instrument by using the setpoint signal of the analog 8 DIN connector without changing the value of parameter "control mode". See doc.nr. 9.17.023 for more details



Analog operated  
0...20 or 4...20mAdc

Note:  
In analog mode with 'mA signals' Pin 8 (0V sense) does not need to be connected. The instrument's operation will not be effected in case Pin 8 is already hooked-up