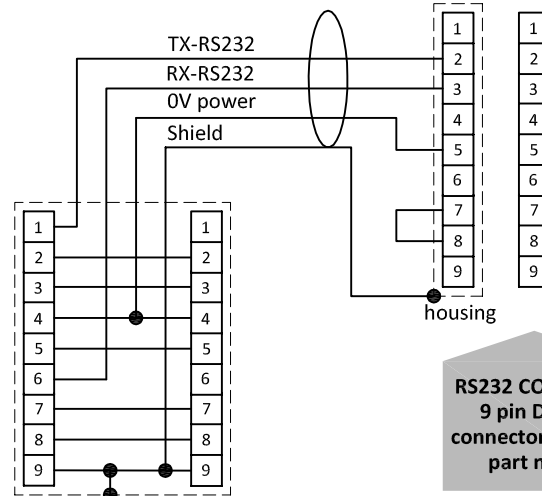


RS232+Analog I/O

MULTI-BUS Hook-up diagram

RS232 connection



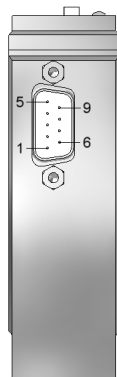
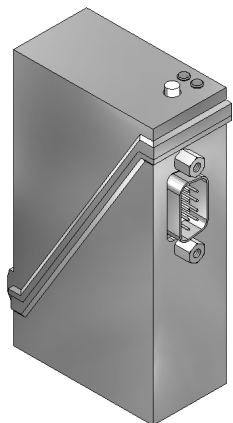
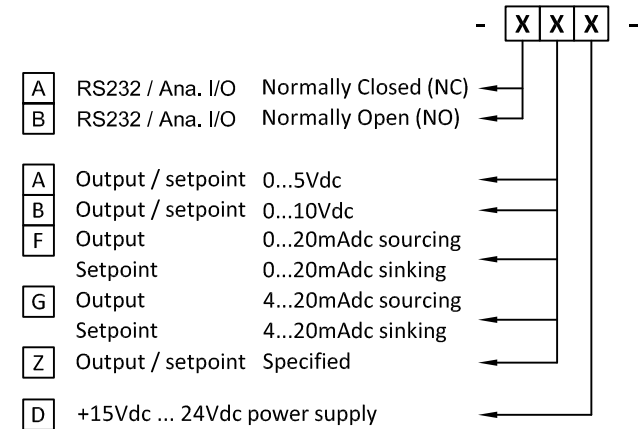
T-adapter
cable 7.03.366

RS232 COM-port
9 pin D-Sub
connector chassis
part male

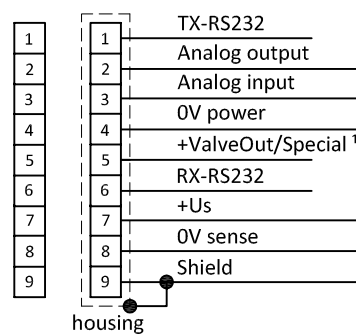
Types

EL-FLOW / EL-PRESS / μ -FLOW/ LIQUI-FLOW

Model key explanation



9 pin D-Sub
connector
chassis part
male



9 pin D-Sub
connector
chassis part
male

9 pin D-Sub
connector
cable part
female

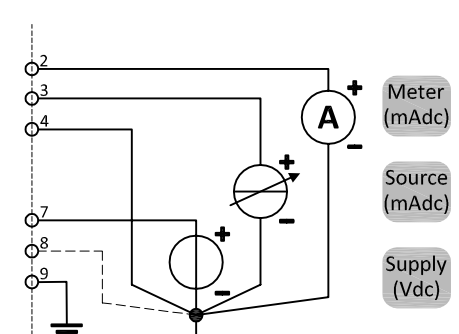
Note:
Do not connect an external valve to instruments, set as MFM or EPM.

Note:
*) for MBC3 type instruments: +Valve out is 0...10Vdc 1mA

Note:
0V power (pin 4) and 0V sense (pin 8) should be separately
connected to the 0V terminal at the power supply.

Analog operated
0...5 or 0...10Vdc

Note:
When using a field bus or RS232, it is not possible to operate the instrument by using the setpoint signal of the analog
D-sub connector without changing the value of parameter "control mode". See doc.nr. 9.17.023 for more details



Note:
In analog mode with 'mA signals' Pin 8 (0V sense) does
not need to be connected. The instrument's operation
will not be effected in case Pin 8 is already hooked-up

Analog operated
0...20 or 4...20mAdc