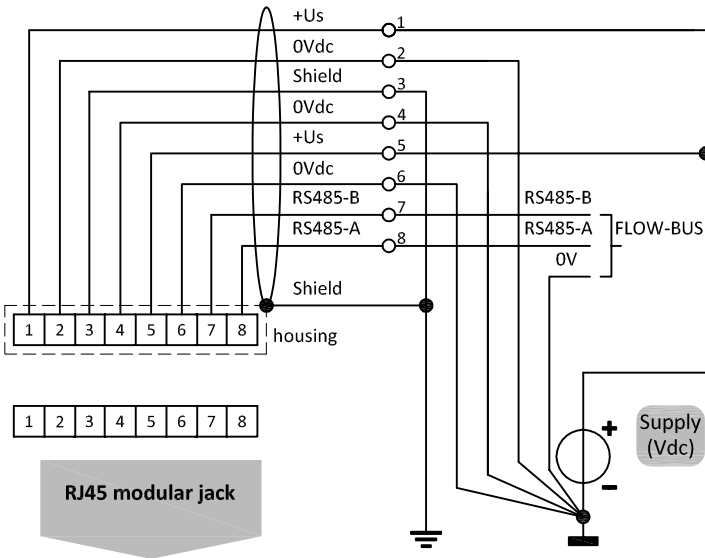


FLOW-BUS

MULTI-BUS Hook-up diagram

FLOW-BUS connection



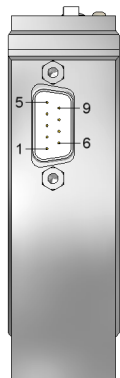
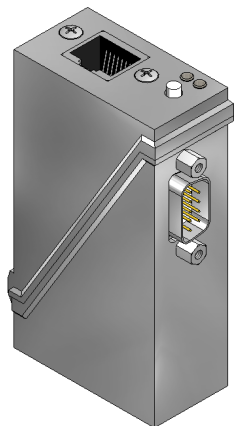
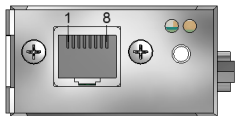
Types

EL-FLOW / EL-PRESS / μ -FLOW/ LIQUI-FLOW

Model key explanation

Letter	Description	Signal Type	Range / Value
R	FLOW-BUS	Normally Closed (NC)	
S	FLOW-BUS	Normally Open (NO)	
A	Output / setpoint		0...5Vdc
B	Output / setpoint		0...10Vdc
F	Output		0...20mAdc sourcing
F	Setpoint		0...20mAdc sinking
G	Output		4...20mAdc sourcing
G	Setpoint		4...20mAdc sinking
Z	Output / setpoint		Specified
D			+15Vdc ... 24Vdc power supply

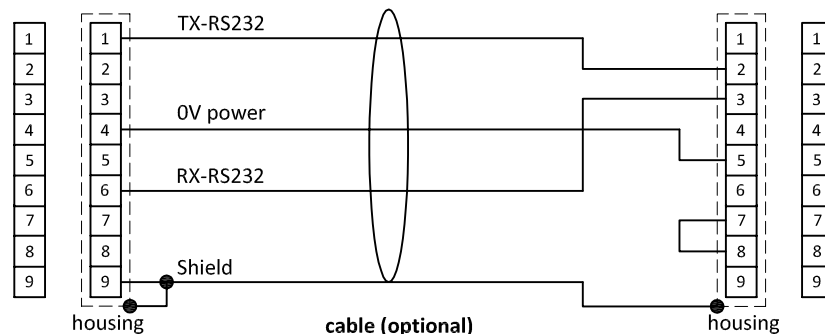
RJ45 modular jack



9 pin D-Sub
connector
chassis part
male

9 pin D-Sub
connector
chassis part
male

9 pin D-Sub
connector
cable part
female



9 pin D-Sub
connector
chassis part
male

9 pin D-Sub
connector
cable part
female

RS232 COM -port
9 pin D-Sub
connector chassis
part male

Note:
When using a field bus or RS232, it is not possible to operate the instrument by using the setpoint signal of the analog D-sub connector without changing the value of parameter "control mode".
See doc.nr. 9.17.023 for more details

Note:
Do not connect an external valve to instruments, set as MFM or EPM

Note:
Powering a single instrument is possible by the D-sub connector.
Please consult 9.16.062 for a connection diagram.