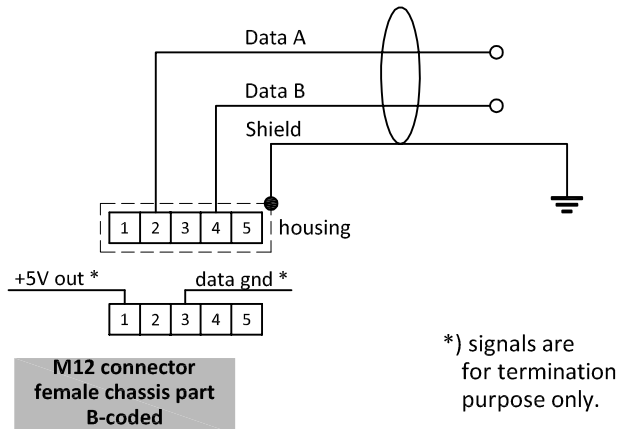


PROFIBUS-DP®

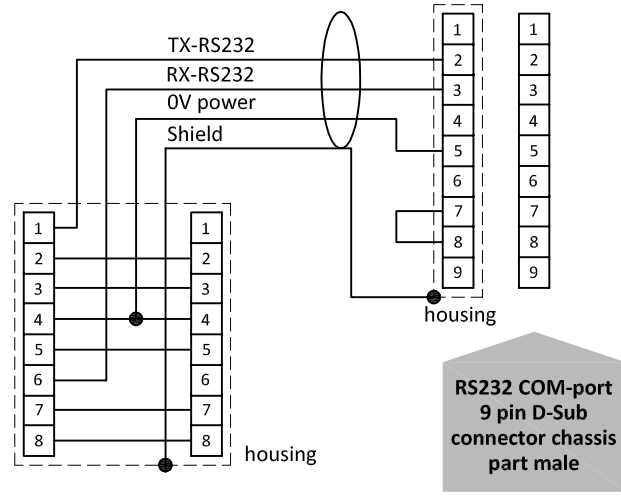
MULTI-BUS Hook-up diagram

PROFIBUS connection



M12 connector female chassis part B-coded

RS232 connection



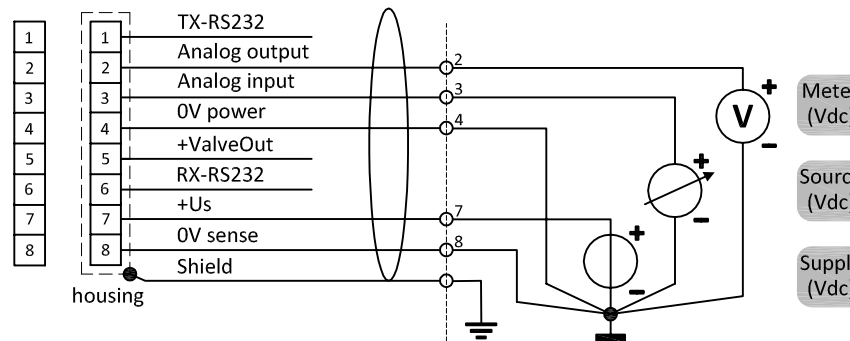
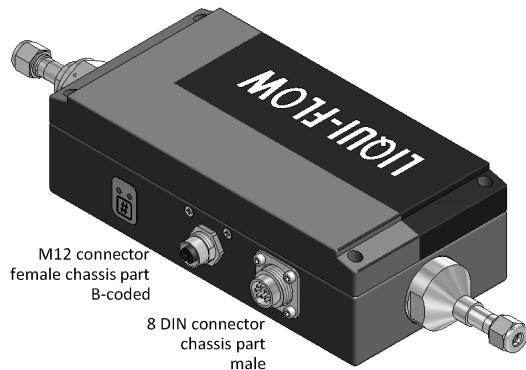
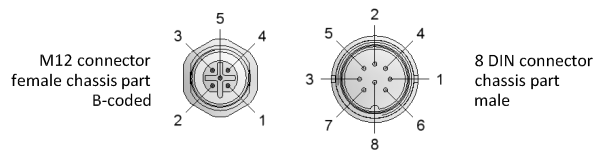
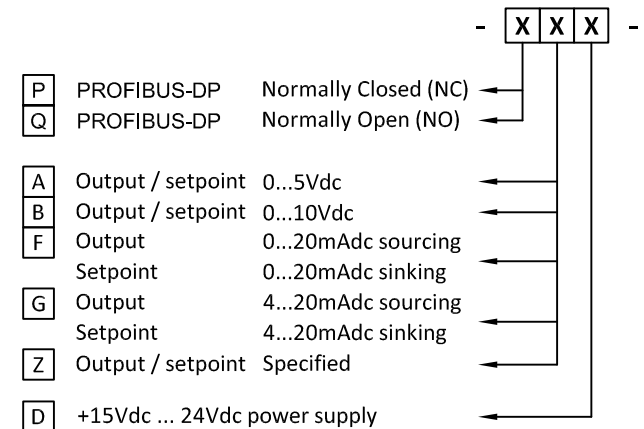
T-adapter cable 7.03.444

RS232 COM-port 9 pin D-Sub connector chassis part male

Types

LIQUI-FLOW L30

Model key explanation



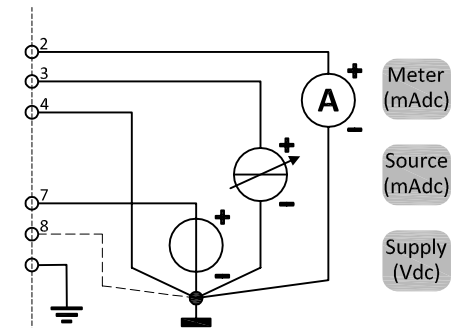
8 DIN connector chassis part male
8 DIN connector cable part female

Note: Do not connect an external valve to instruments, set as MFM.

Note: 0V power (pin 4) and 0V sense (pin 8) should be separately connected to the 0V terminal at the power supply.

Analog operated 0...5 or 0...10Vdc

Note: When using a field bus or RS232, it is not possible to operate the instrument by using the setpoint signal of the analog 8 DIN connector without changing the value of parameter "control mode". See doc.nr. 9.17.023 for more details



Note: In analog mode with 'mA signals' Pin 8 (0V sense) does not need to be connected. The instrument's operation will not be effected in case Pin 8 is already hooked-up

Analog operated 0...20 or 4...20mAcd