

RS232+Analog I/O

MULTI-BUS Hook-up diagram

RS232 connection



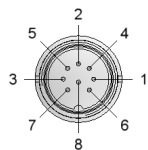
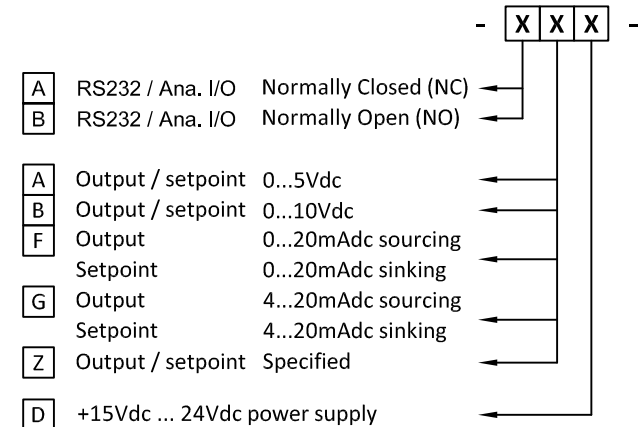
RS232 COM-port
9 pin D-Sub
connector chassis
part male

T-adapter
cable 7.03.444

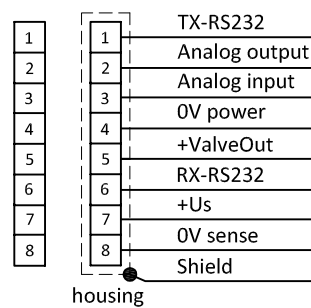
Types

LIQUI-FLOW L30

Model key explanation



8 DIN connector
chassis part
male



8 DIN
connector
chassis part
male

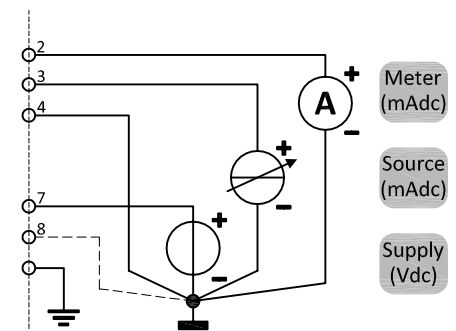
8 DIN
connector
cable part
female

Note:
Do not connect an external valve to instruments, set as MFM.

Note:
0V power (pin 4) and 0V sense (pin 8) should be separately connected to the 0V terminal at the power supply.

Analog operated
0...5 or 0...10Vdc

Note:
When using a field bus or RS232, it is not possible to operate the instrument by using the setpoint signal of the analog 8 DIN connector without changing the value of parameter "control mode". See doc.nr. 9.17.023 for more details



Note:
In analog mode with 'mA signals' Pin 8 (0V sense) does not need to be connected. The instrument's operation will not be effected in case Pin 8 is already hooked-up

Analog operated
0...20 or 4...20mAdc