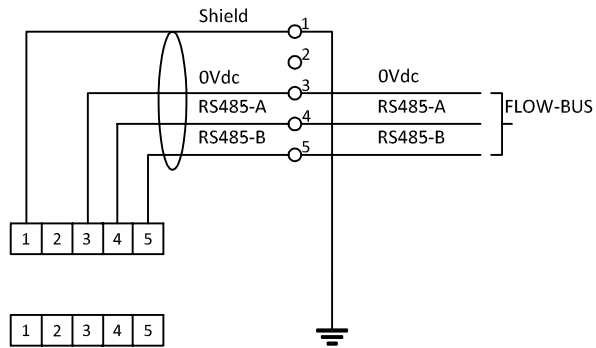


FLOW-BUS

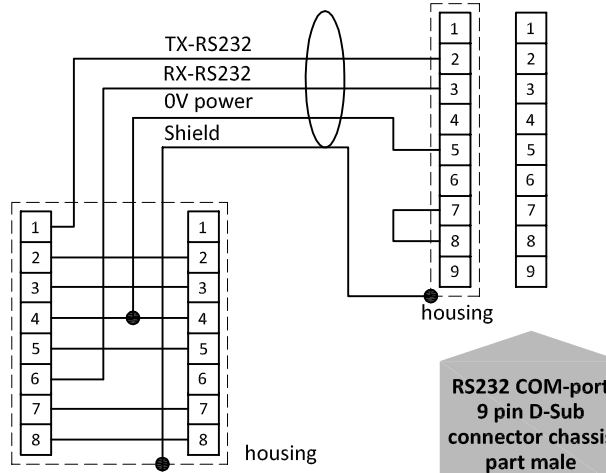
MULTI-BUS Hook-up diagram

FLOW-BUS connection



**M12 connector
male chassis part
A-coded**

RS232 connection

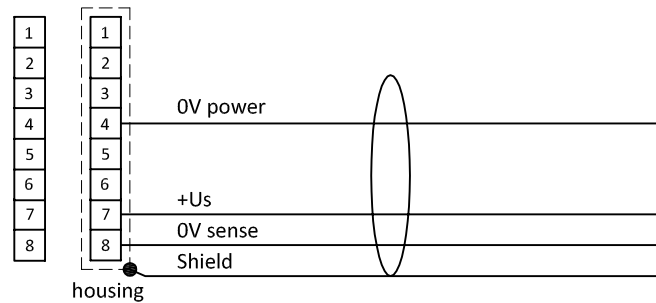
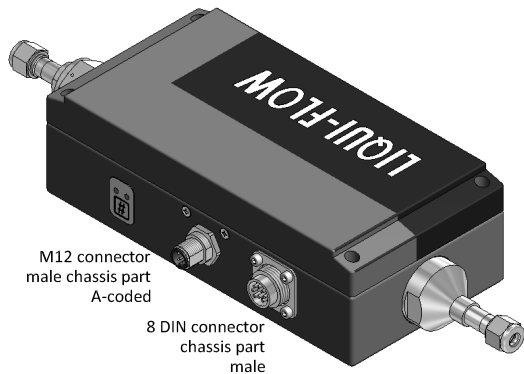
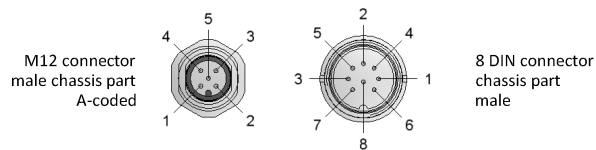
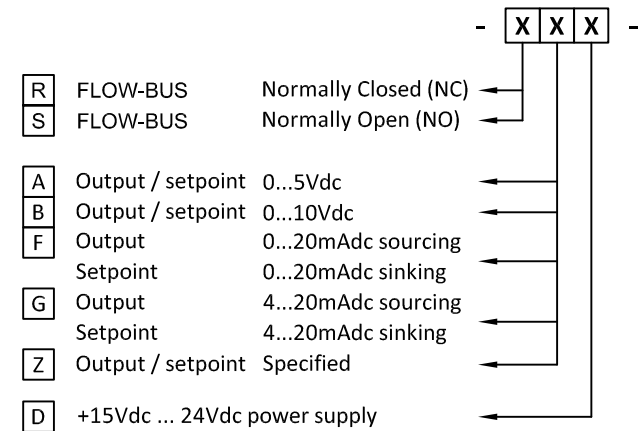


**T-adapter
cable 7.03.444**

Types

LIQUI-FLOW L30

Model key explanation



**8 DIN
connector
chassis part
male**

**8 DIN
connector
cable part
female**



Note:
The power supply is disconnected in the M12 connector due to high power consumption of the instrument.
Always hook up the power supply as shown below.

Supply (Vdc)

Note:
0V power (pin 4) and 0V sense (pin 8) should be separately connected to the 0V terminal at the power supply.

Note:
Do not connect an external valve to instruments, set as MFM.

Note:
When using a field bus or RS232, it is not possible to operate the instrument by using the setpoint signal of the analog 8 DIN connector without changing the value of parameter "control mode". See doc.nr. 9.17.023 for more details