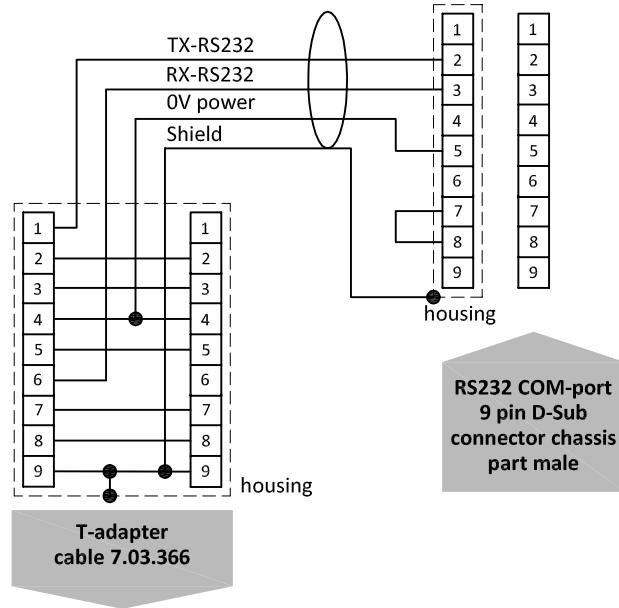


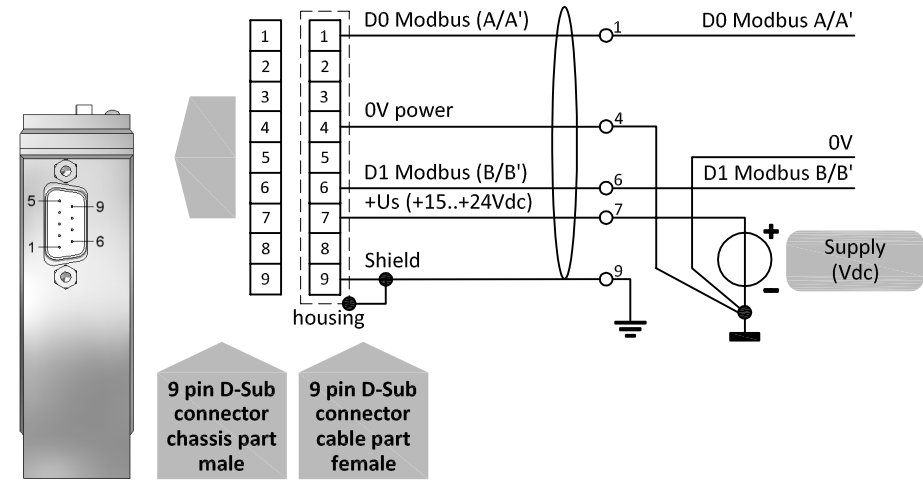
Analog I/O / RS232 / Modbus

**EL-FLOW Base
Hook-up diagram**

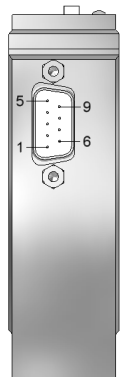
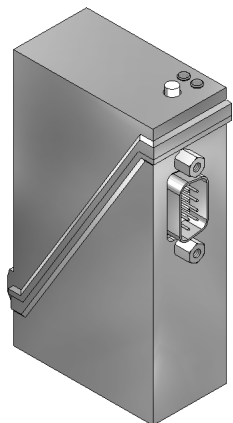
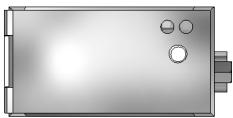
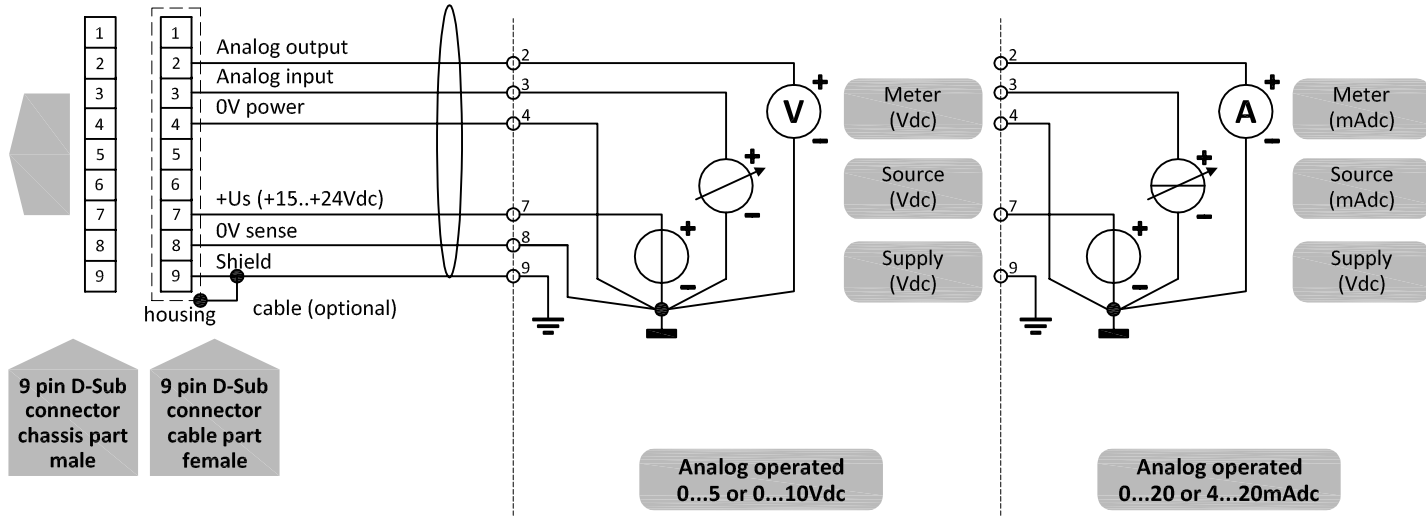
RS232 connection



Modbus operated



Analog operated



9 pin D-Sub
connector
chassis part
male