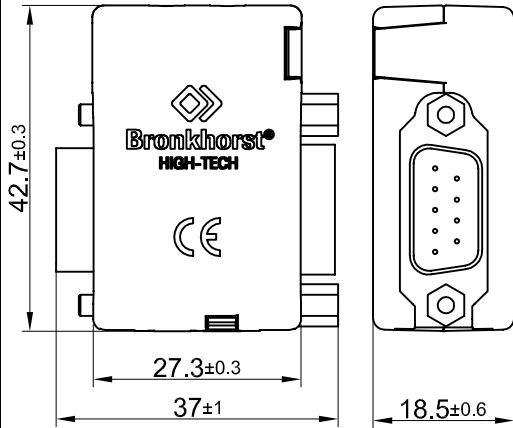
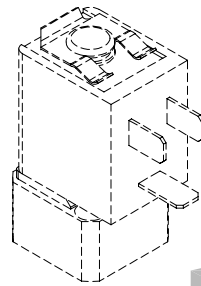


Shut-off valve control adapter

Hook-up diagram

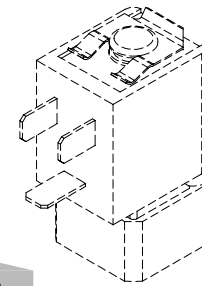


Valve 1



DIN 43650B
valve connector
female

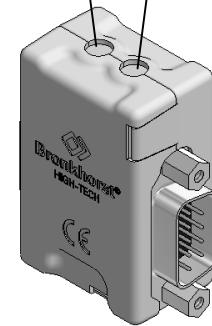
Valve 2



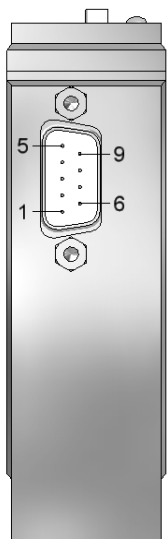
DIN 43650B
valve connector
female

Valve 1

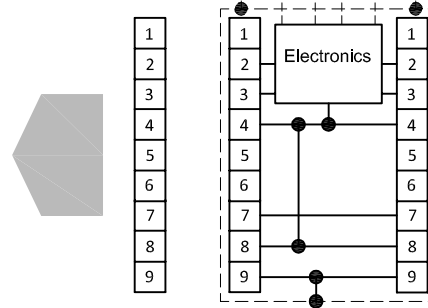
Valve 2



* Communcation over the D-sub on special request

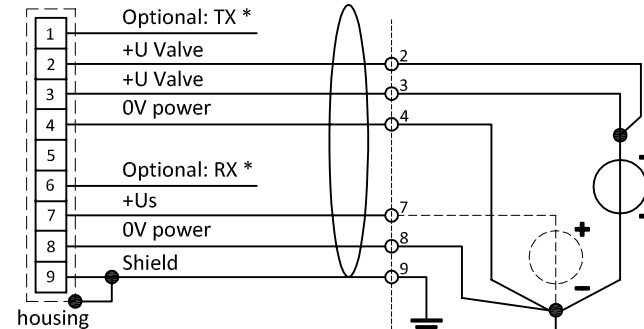


9 pin D-Sub
connector
chassis part
male



9 pin D-Sub
connector
chassis part
male

9 pin D-Sub
connector
female / male
Shut-off valve control
adapter



Supply valves
(Vdc) +24Vdc

Supply Instrument
(Vdc) +15....24Vdc

Note:
+U Valve should always be
powered separately.

Note:
Powering the instrument by
bus is possible for: FLOW-BUS
Modbus
DeviceNet