


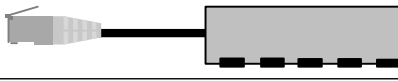


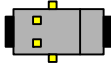




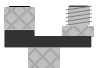






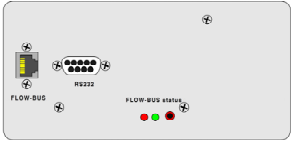
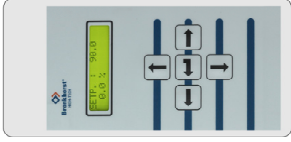







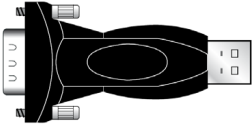
FLOW-BUS – Modbus CABLE PARTS

FLOW-BUS - Modbus RJ45 connector			
Symbol	Description	Lenght	Part number
	patch cable (standard RJ45 S(F)TP)	0,5 m 3 m 5 m 10 m 0,15 m	7.03.236 7.03.238 7.03.239 7.03.318 7.03.542
	patch cable (standard RJ45 / loose end)	3 m	7.03.544
	RJ45 Y-adaptor	0,3 m	7.03.241
	RJ45 Multi-port adaptor (5 port RJ45)	0,3 m	7.03.299
 (red)	RJ45 bus begin-terminator		7.03.297
 (black)	RJ45 bus end-terminator		1.09.240
	RJ45 power isolator (only dat cores put through)		1.09.239

FLOW-BUS - Modbus M12 A-code connector			
	M12 connector 5pol. female		1.09.445
	M12 connector 5pol. male		1.09.444
	M12 end terminator female		7.03.320
	M12 end terminator male		7.03.321
	M12 Y-adaptor		7.03.319
	FLOW-BUS M12 cable	0,3 m 3 m	7.03.322 7.03.323
	FLOW-BUS M12 power isolator		7.03.350

ONLY FLOW-BUS M12 / RJ45 * *the RJ45 connector is not IP65			
	FLOW-BUS M12 Female / RJ45 Calbe	3 m	7.03.347
	FLOW-BUS M12 Male / RJ45 Calbe	3 m	7.03.358
	FLOW-BUS M12 Female to RJ45 Y-adaptor	0,3 m	7.03.357
	FLOW-BUS cable		1.15.162

RS232/FLOW-BUS			
Symbol	Description	Lenght	Part number
	RS232/FLOW-BUS interface box 32bit		7.09.128
	FLOW-BUS Handterminal E-7000-15-R		7.09.114
	RS232 male/female 9-pin D for 7.09.128	1,8 m	7.03.234
	cable RS232 T-part DB9 MBC II	3 m	7.03.366
	cable RS232 T-part 8DIN	3 m	7.03.348
	cable RS232 DB9/DB9 MBC II	3 m	7.03.367
	cable RS232 DB9 to 8DIN	3 m	7.03.340

RS232 to USB convertor* *the convertor is not IP65			
	RS232 male DB9 to USB2.0		9.09.122