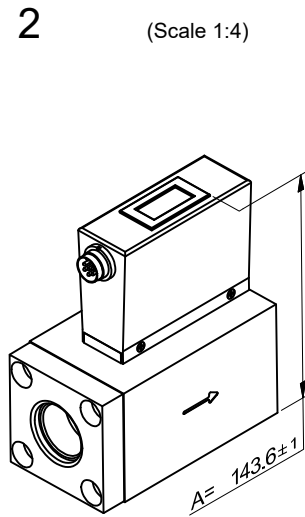
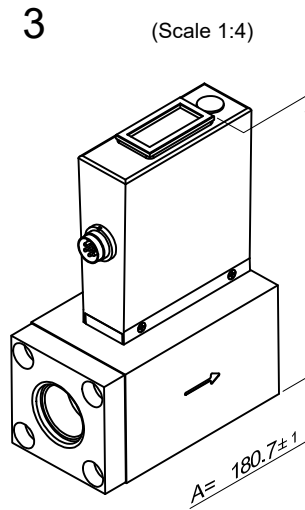


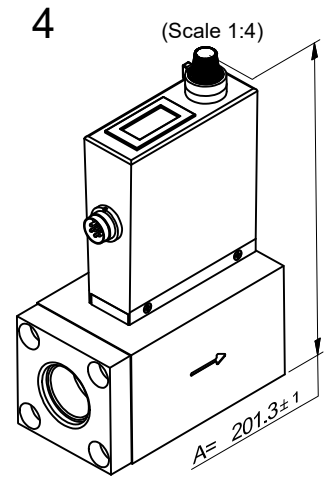
Analog case assy



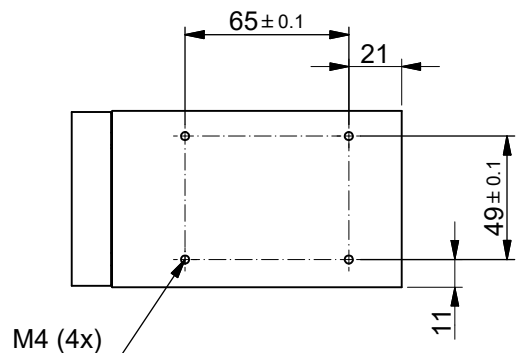
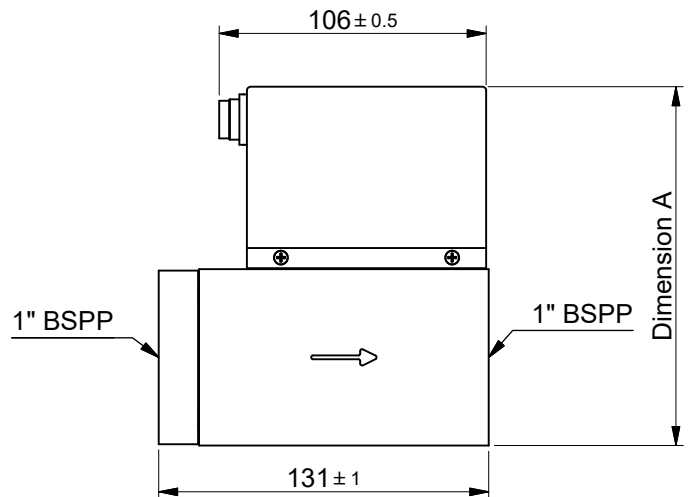
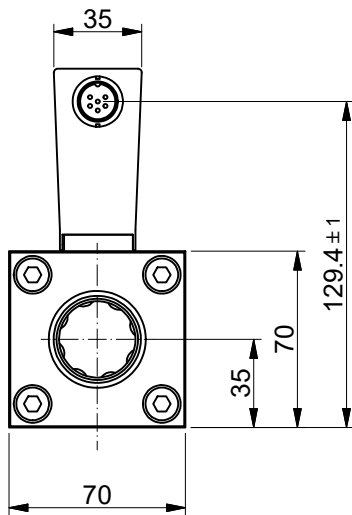
Analog case assy with display



Analog case assy with V/F convertor


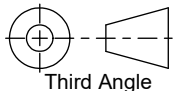


Analog case assy including potentiometer



Dimensions subject to change without notice.

Tolerances ± 0.2 unless otherwise mentioned

Title: Dimensional drawing MASS-STREAM™ D-6280		Drawer : P.T.B. Date: 28-11-2000	Revision Description: Rebranded and renamed.		
 WWW.BRONKHORST.COM	Projection:  Third Angle Dimensions: Metric (mm)		Checked : J.E. Date: 08-09-2016 Drawing no.: 7.05.437	Rev. by: R.Ge. Rev.: E	Scale: 1:3 A4 Page: 1-1