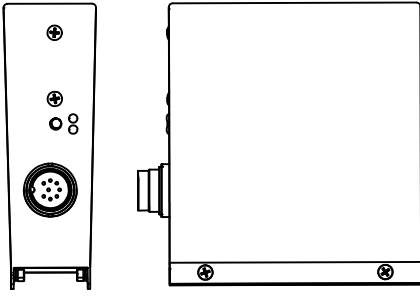
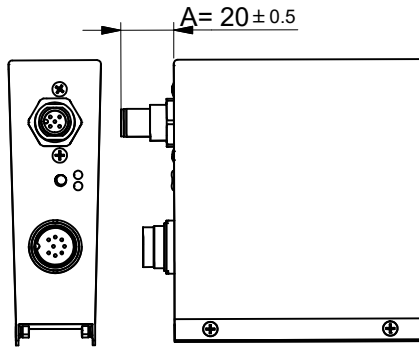


One of these digital case assemblies replaces the case assembly as drawn in the dimensional drawing.
Please note that the width increases when a connector is used.

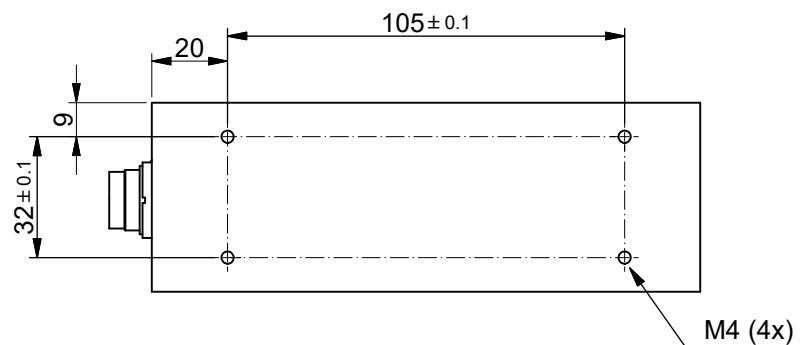
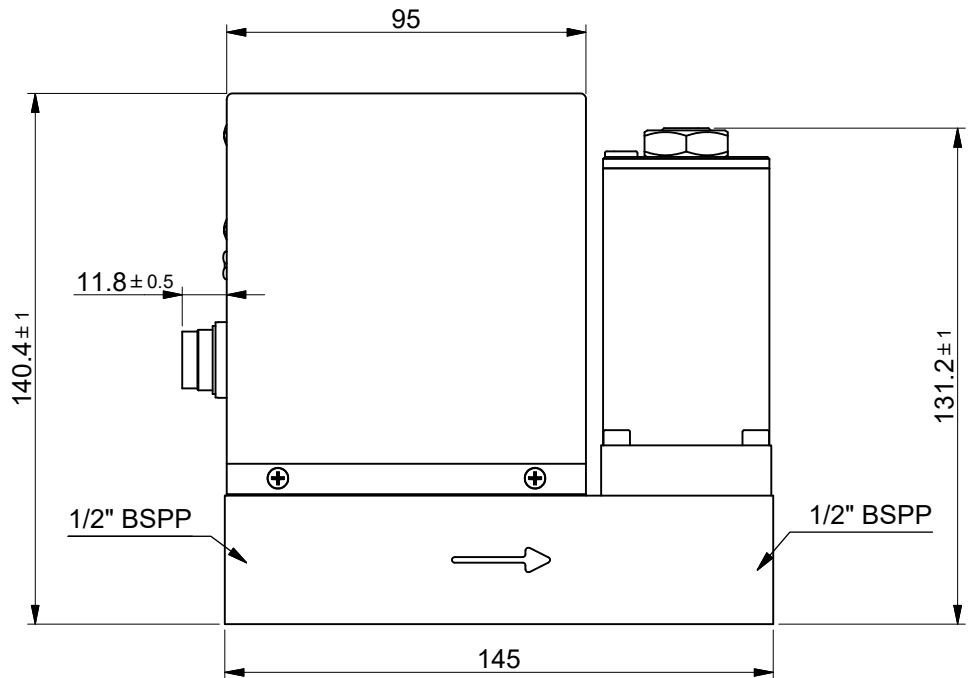
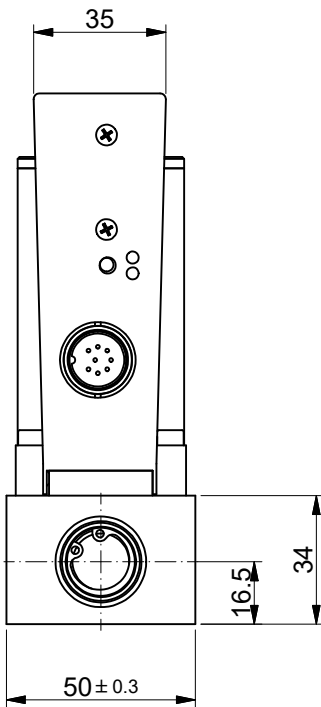
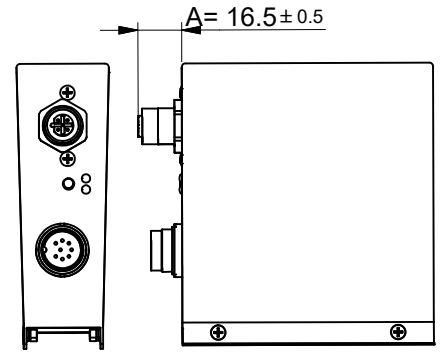
analog / RS232



FLOW-BUS / DeviceNet / Modbus


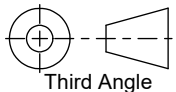


PROFIBUS



Dimensions subject to change without notice.

Tolerances ± 0.2 unless otherwise mentioned

Title: Dimensional drawing MASS-STREAM™ D-6251 DMFC		Drawer : M.B. Date: 08-05-2008	Revision Description: Rebranded and renamed.	
 WWW.BRONKHORST.COM	Projection:  Third Angle	Checked : J.E. Date: 08-09-2016	Rev. by: R.Ge.	Scale: 1:2
	Dimensions: Metric (mm)	Drawing no.: 7.05.706	Rev.: B	A4 Page: 1-1