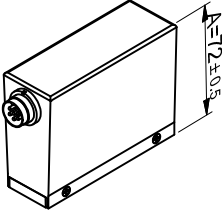
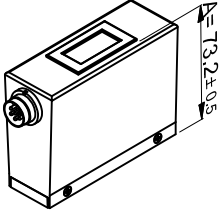
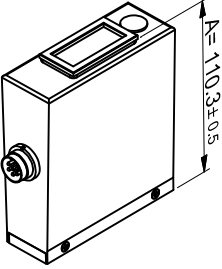
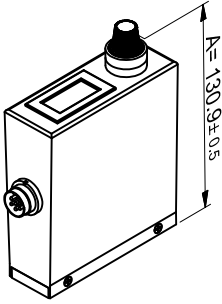
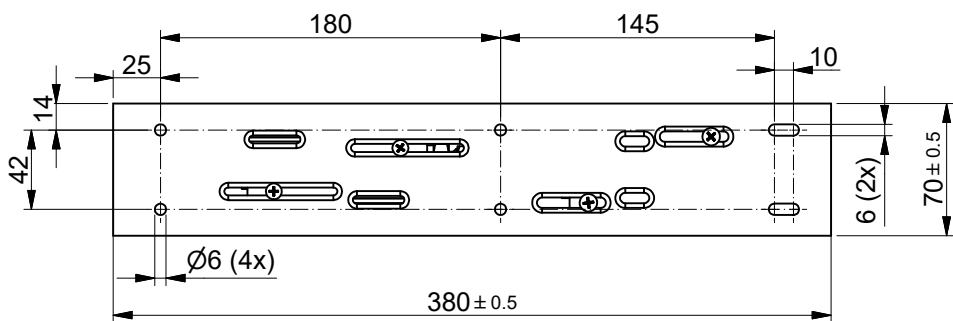
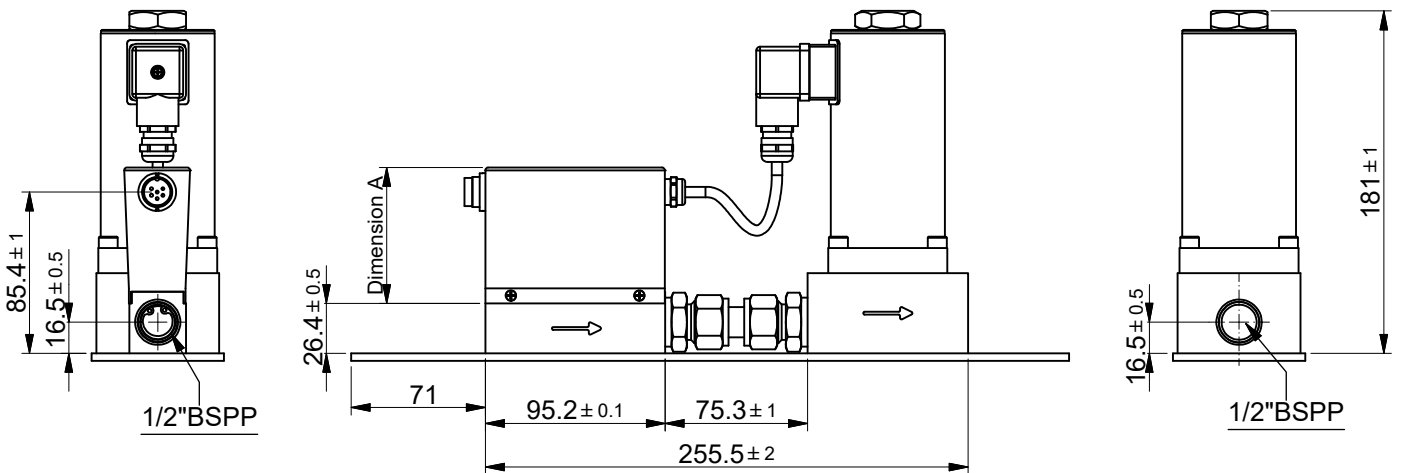
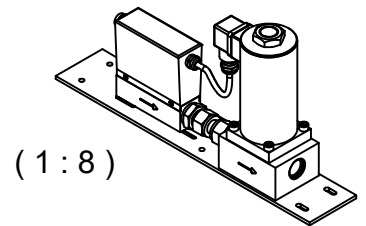

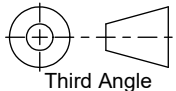


<p>1 (Scale 1:4)</p> 	<p>2 (Scale 1:4)</p> 	<p>3 (Scale 1:4)</p> 	<p>4 (Scale 1:4)</p> 
<p>Analog case assy</p>	<p>Analog case assy with display</p>	<p>Analog case assy with V/F convertor</p>	<p>Analog case assy including potentiometer</p>



Tolerances ±0.2 unless otherwise mentioned

Dimensions subject to change without notice.

<p>Title: Dimensional drawing MASS-STREAM™ D-6253/F-004BI</p>		<p>Drawer : M.B. Date: 20-08-2009</p>	<p>Revision Description: Rebranded and renamed.</p>		
 <p>WWW.BRONKHORST.COM</p>	<p>Projection: Third Angle Dimensions: Metric (mm)</p> 		<p>Checked : J.E. Date: 08-09-2016 Drawing no.: 7.05.768</p>	<p>Rev. by: R.Ge. Rev.: D</p>	<p>Scale: 1:4 A4 Page: 1-1</p>