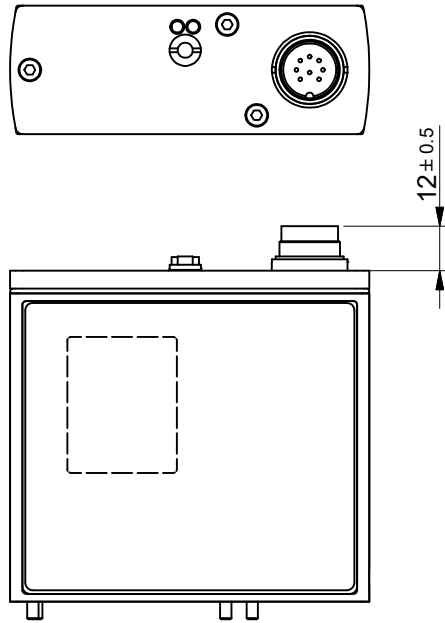
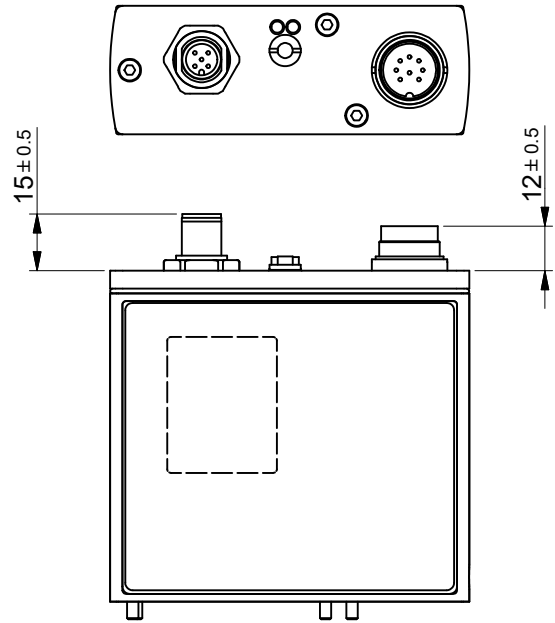


One of these digital case assemblies replaces the case assembly as drawn in the dimensional drawing.  
Please note that the height increases when a contra connector is used.

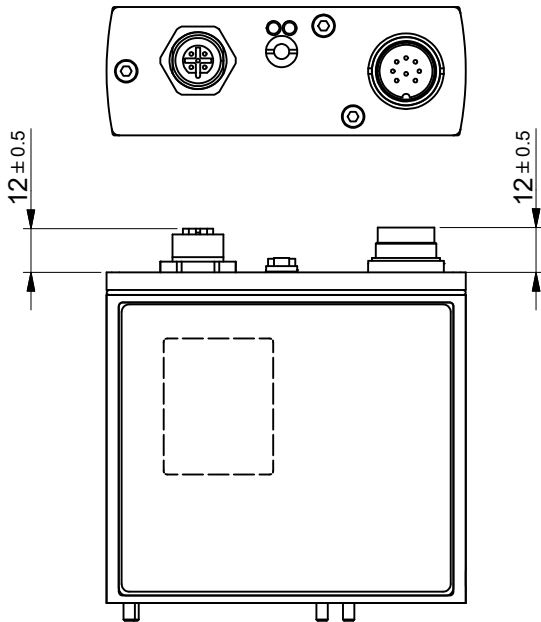
analog / RS232



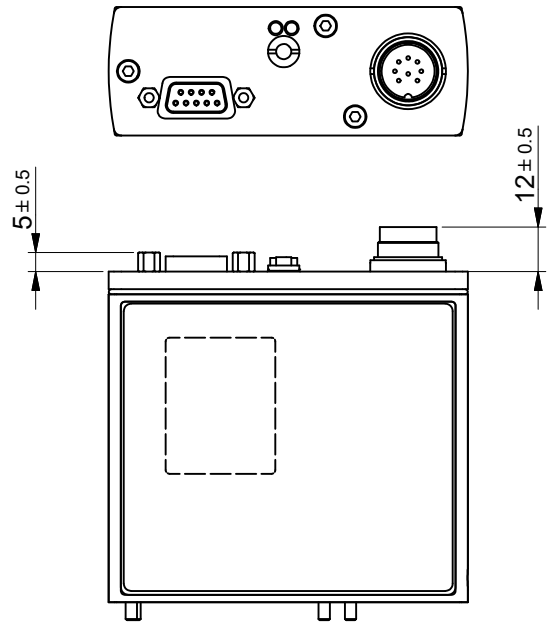
FLOW-BUS / DeviceNet / Modbus



PROFIBUS DP


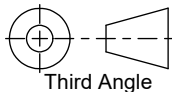


PROFIBUS DP DB9



Dimensions subject to change without notice.

Tolerances  $\pm 0.5$  unless otherwise mentioned

Title: <b>Dimensions digital cases MASS-STREAM™ D-6300</b>		Drawer : R.Ge.	Revision Description: <b>PRELIMINARY</b> New drawing	
		Date: 24-08-2016		
		Checked : J.E.		
		Date: 01-09-2016	Rev. by:	Scale: 1:2
		Drawing no.: 7.05.971	Rev.: A	Page: 1-1
 WWW.BRONKHORST.COM	Projection:  Third Angle			
	Dimensions: Metric (mm)			