

APPLICATION NOTE A063-GP99 - GAS CONSUMPTION

APPLICATION NOTE A063-GP99

GAS CONSUMPTION

Up to 50% of Bronkhorst's MASS-STREAM meters and controllers are sold with our multi-functional display which offers a totalizer function for consumption measurement of gases and many other features.

Our mass flow meters and controllers are available from 200 ml_n/min up to 5000 l_n/min Air equivalent.



Field of applications

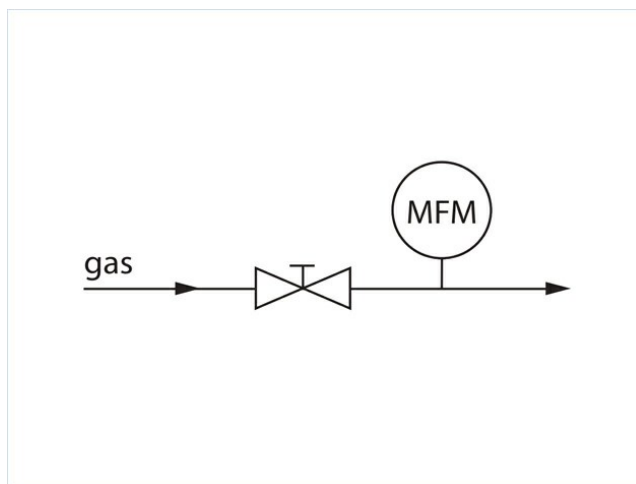
- Hospital
- Medical equipment
- Gas distribution
- Burner
- Metal processing
- Research
- ...

Display features

- Counter / totalizer
 - Actual flow [%] or [unit]
 - Min. / max. alarm
 - Setpoint via display available
 - ...
-

Available Gases

- Air
 - Nitrogen (N₂)
 - Oxygen (O₂)
 - Nitrous Oxide (N₂O)
 - Carbon Dioxide (CO₂)
 - Argon (Ar)
 - Xenon (Xe)
 - Ammonia (NH₃)
 - Methane (CH₄)
 - Propane (C₃H₈)
 - Acetylene (C₂H₂)
 - Ethylene (C₂H₄)
 - Ethane (C₂H₆)
 - ...
-
- **Others on request**
 - **Mixtures on request**



Flow scheme

Recommended Products



MASS-STREAM D-6370 MFM

- Min. flow 2...100 l/min
- Max. flow 10...1000 l/min
- Pressure rating up to 20 bar
- Rugged sensor and housing (IP65)
- Optional integrated TFT display



BRONKHORST USA INC.

57 South Commerce Way

Suite 120

USA - Bethlehem, PA 18017

Tel. [+1-610-866-6750](tel:+1-610-866-6750)

sales@bronkhorstusa.com