

## GAS CONSUMPTION

**Up to 50% of Bronkhorst's MASS-STREAM meters and controllers are sold with our multi-functional display which offers a totalizer function for consumption measurement of gases and many other features.**

Our mass flow meters and controllers are available from 200 ml<sub>n</sub>/min up to 5000 l<sub>n</sub>/min Air equivalent.



---

### Field of applications

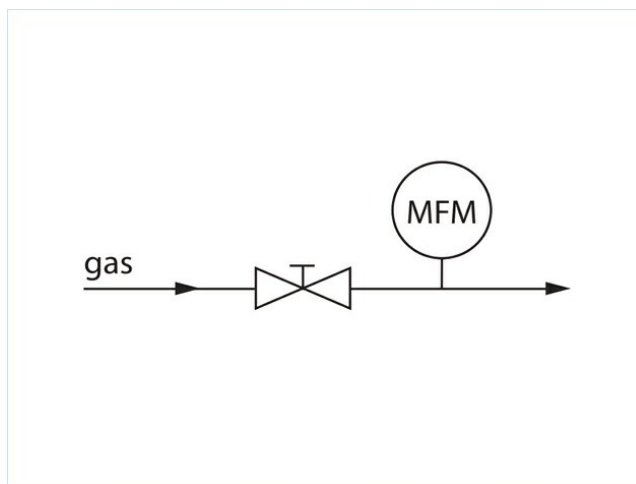
- Hospital
- Medical equipment
- Gas distribution
- Burner
- Metal processing
- Research
- ...

### Display features

- Counter / totalizer
  - Actual flow [%] or [unit]
  - Min. / max. alarm
  - Setpoint via display available
  - ...
-

## Available Gases

- Air
  - Nitrogen (N<sub>2</sub>)
  - Oxygen (O<sub>2</sub>)
  - Nitrous Oxide (N<sub>2</sub>O)
  - Carbon Dioxide (CO<sub>2</sub>)
  - Argon (Ar)
  - Xenon (Xe)
  - Ammonia (NH<sub>3</sub>)
  - Methane (CH<sub>4</sub>)
  - Propane (C<sub>3</sub>H<sub>8</sub>)
  - Acetylene (C<sub>2</sub>H<sub>2</sub>)
  - Ethylene (C<sub>2</sub>H<sub>4</sub>)
  - Ethane (C<sub>2</sub>H<sub>6</sub>)
  - ...
- 
- **Others on request**
  - **Mixtures on request**



Flow scheme

---

## Recommended Products



### MASS-STREAM D-6370 MFM

- Débit min. 2...100 l/min
- Débit max. 10...1000 l/min
- Pression jusqu'à 20 bar
- Boîtier robuste (IP65)
- Option afficheur TFT intégré



**BRONKHORST FRANCE S.A.S.**

53 Rue Jacques Verniol

F-95370 Montigny-Les-Cormeilles (FR)

Tel. +33 1 34 50 87 00

[sales@bronkhorst.fr](mailto:sales@bronkhorst.fr)