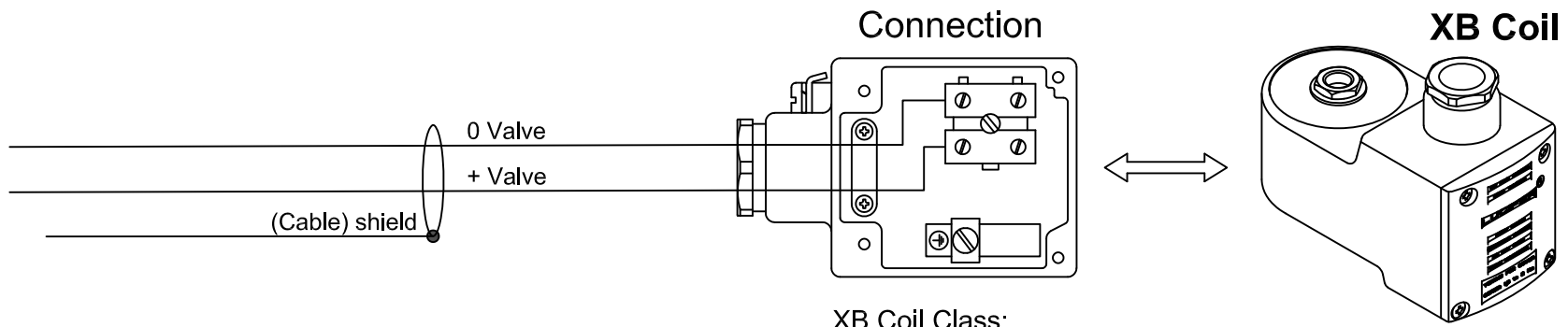


XB Coil



XB Coil Class:
II 1 G Ex ia IIC T6
II 1 D Ex ta IIIC T80°C

**(Cable) shield must not be
connected to the coil(housing)**