


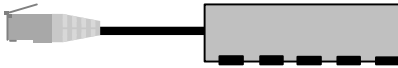


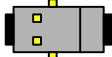









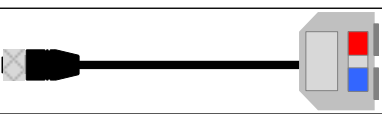



FLOW-BUS – Modbus CABLE PARTS

| FLOW-BUS - Modbus RJ45 connector | | | |
|-------------------------------------------------------------------------------------------|--------------------------------------------------|---------------------------------------|----------------------------------------------------------|
| Symbol | Description | Lenght | Part number |
|  | patch cable (standard RJ45 S(F)TP) | 0,5 m 3 m 5 m 10 m 0,15 m | 7.03.236 7.03.238 7.03.239 7.03.318 7.03.542 |
|  | patch cable (standard RJ45 / loose end) | 3 m | 7.03.544 |
|  | RJ45 Y-adaptor | 0,3 m | 7.03.241 |
|  | RJ45 Multi-port adaptor (5 port RJ45) | 0,3 m | 7.03.299 |
|  (red) | RJ45 bus begin-terminator | | 7.03.297 |
|  (black) | RJ45 bus end-terminator | | 7.03.298 |
|  | RJ45 power isolator (only dat cores put through) | | 1.09.239 |

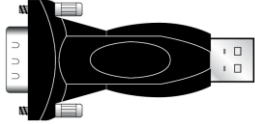
| FLOW-BUS - Modbus M12 A-code connector | | | |
|-------------------------------------------------------------------------------------|-----------------------------|--------------|----------------------|
|  | M12 connector 5pol.male | | 1.09.379 |
|  | M12 connector 5pol.female | | 1.09.380 |
|  | M12 end terminator female | | 7.03.320 |
|  | M12 end terminator male | | 7.03.321 |
|  | M12 Y-adaptor | | 7.03.319 |
|  | FLOW-BUS M12 cable | 0,3 m 3 m | 7.03.322 7.03.323 |
|  | FLOW-BUS M12 power isolator | | 7.03.350 |

| ONLY FLOW-BUS M12 / RJ45 * *the RJ45 connector is not IP65 | | | |
|-------------------------------------------------------------------------------------|---------------------------------------|-------|----------|
|  | FLOW-BUS M12 Female / RJ45 Cable | 3 m | 7.03.347 |
|  | FLOW-BUS M12 Male / RJ45 Cable | 3 m | 7.03.358 |
|  | FLOW-BUS M12 Female to RJ45 Y-adaptor | 0,3 m | 7.03.357 |
|  | FLOW-BUS cable | | 1.15.162 |

RS232/FLOW-BUS

| Symbol | Description | Lenght | Part number |
|-----------------------------------------------------------------------------------|----------------------------------------|--------|-------------|
|  | RS232/FLOW-BUS interface box 32bit | | 7.09.128 |
|  | RS232 male/female 9-pin D for 7.09.128 | 1,8 m | 7.03.234 |
|  | cable RS232 T-part DB9 MBC II | 3 m | 7.03.366 |
| | cable RS232 T-part 8DIN | 3 m | 7.03.444 |
|  | cable RS232 DB9/DB9 MBC II | 3 m | 7.03.367 |
|  | cable RS232 DB9 to 8DIN | 3 m | 7.03.340 |

RS232 to USB convertor* *the convertor is **not** IP65

| | | | |
|------------------------------------------------------------------------------------|--------------------------|--|----------|
|  | RS232 male DB9 to USB2.0 | | 9.09.122 |
|------------------------------------------------------------------------------------|--------------------------|--|----------|