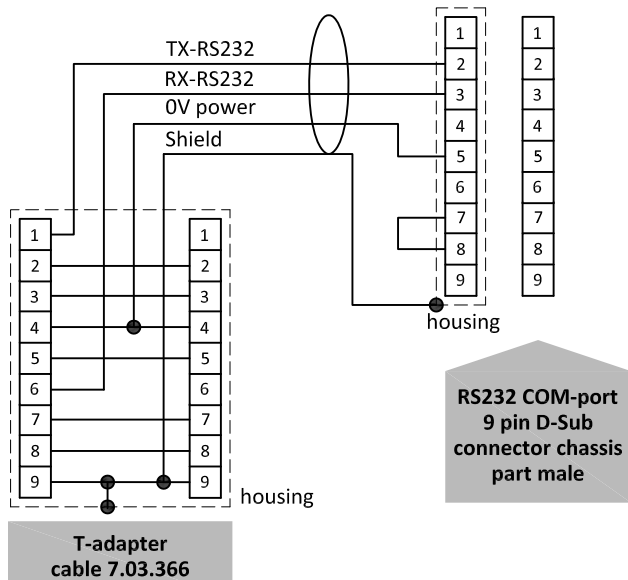




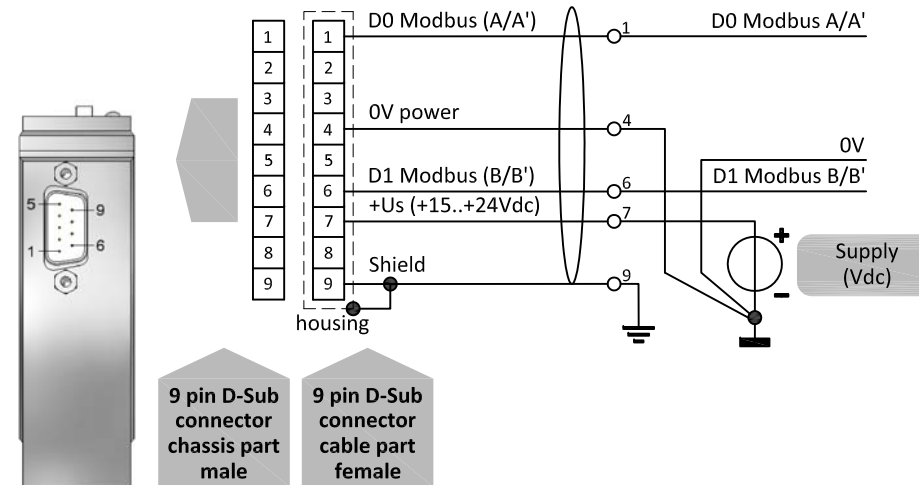
**Analog I/O / RS232 / Modbus**

**EL-FLOW Base  
Hook-up diagram**

**RS232 connection**



**Modbus operated**



**Analog operated**

