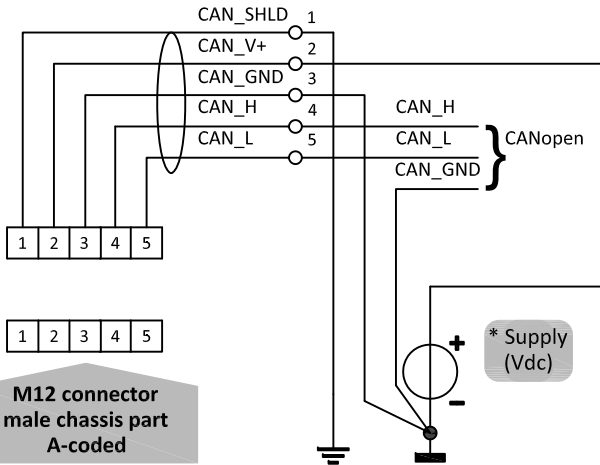


CANopen

Hook-up diagram

CANopen connection



M12 connector male chassis part A-coded

POWER SUPPLY WARNING



Do not power the instrument simultaneously from two different power sources (e.g. bus connection and Plug-in Power Supply). Doing so will damage the printed circuit board irreparably.

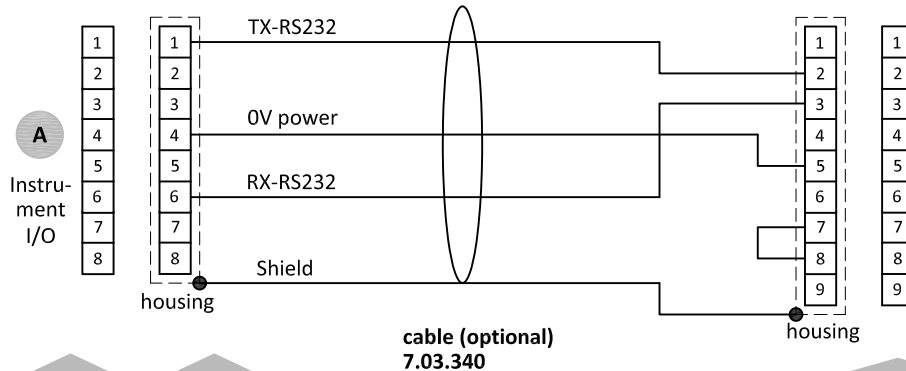
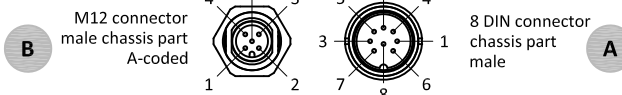
Types

D-6300 Series

Model key explanation

D - N N N N - X X X - X X - X X - N N - X - S - D X

A	Output / setpoint	0-5Vdc
B	Output / setpoint	0-10Vdc
F	Output	0-20mAdc sourcing
	Setpoint	0-20mAdc sinking
G	Output	4-20mAdc sourcing
	Setpoint	4-20mAdc sinking
D	+15Vdc - 24Vdc power supply	standard power supply CANopen: 24Vdc
K	CANopen *	* standard power supply CANopen : 24Vdc



8 DIN connector chassis part male

8 DIN connector cable part female

RS232 COM -port 9 pin D-Sub connector chassis part male

Note:
When using a field bus or RS232, it is not possible to operate the instrument by using the setpoint signal of the analog 8 DIN connector without changing the value of parameter "control mode".
See doc.no. 9.17.023 for more details

Note:
Do not connect an external valve to instruments, set as MFM.

Note:
Powering a single instrument is possible by the 8 DIN connector.
See doc. no. 9.16.092 for the hook-up diagram.