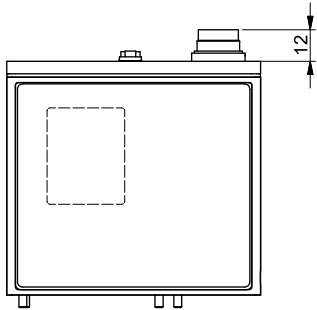
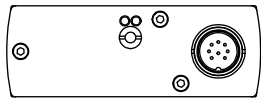


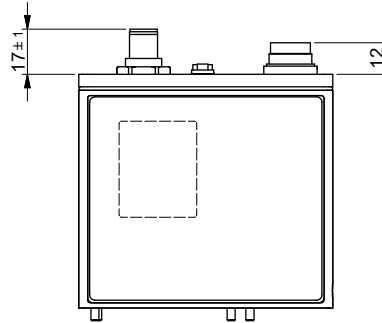
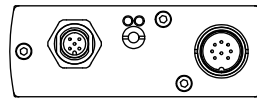
One of these digital case assemblies replaces the case assembly as drawn in the dimensional drawing.
Please note that the height increases when a contra connector is used.
Dimensions subject to change without notice.

Tolerances ± 0.5 unless otherwise mentioned

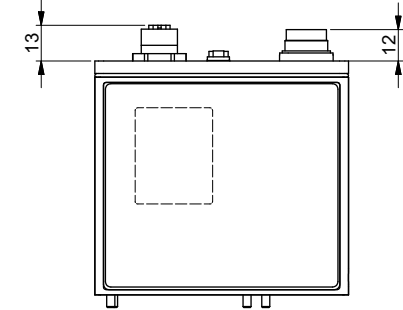
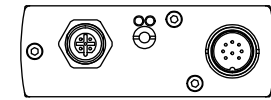
analog / RS232



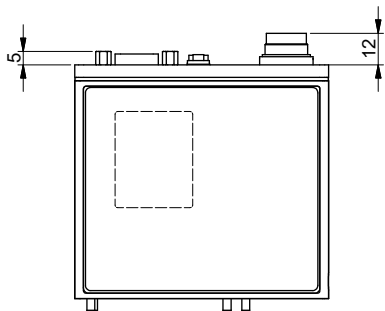
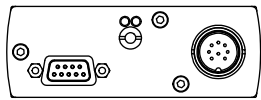
FLOW-BUS / DeviceNet / Modbus



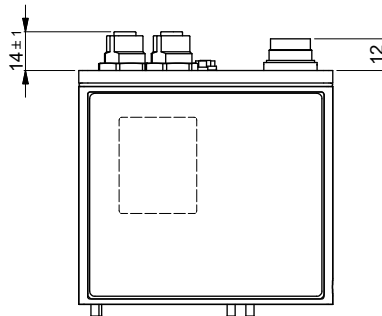
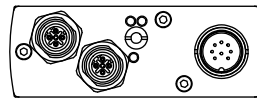
PROFIBUS DP





PROFIBUS DP DB9



PROFINET



Title: Dimensions digital cases MASS-STREAM™ D-6300		Drawer : R.Ge.	Revision Description: Drawing updated, PROFINET added.	
 www.BRONKHORST.COM		Date: 24-08-2016	Checked : R.M Date: 16-09-2019 Rev. by: M.H. Scale: 1:2 A3	
		Projection:  Third Angle Dimensions: Metric (mm)		