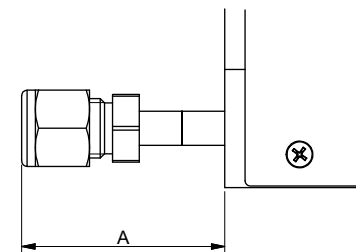


Fittings	A
1/16" OD compression type	14*
1/8" OD compression type	19*
1/8" Face Seal male	15.6
1/4" OD compression type	40.5*
3mm OD compression type	19*
6mm OD compression type	40*

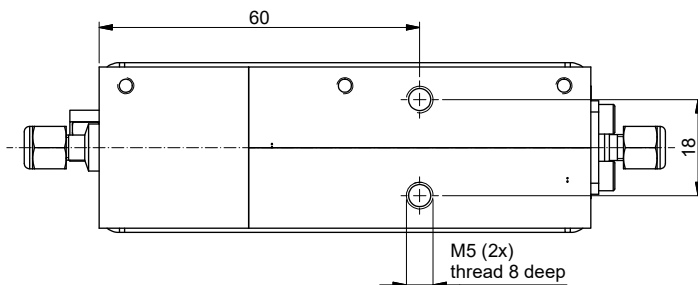
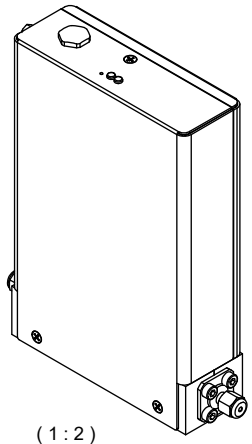
* Dimension A is typical fingertight


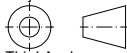


For bus applications height H = max. 18mm
Please note that the height increases when a contra connector is used.

Check document 7.05.672 for dimension A.
Dimensions subject to change without notice.

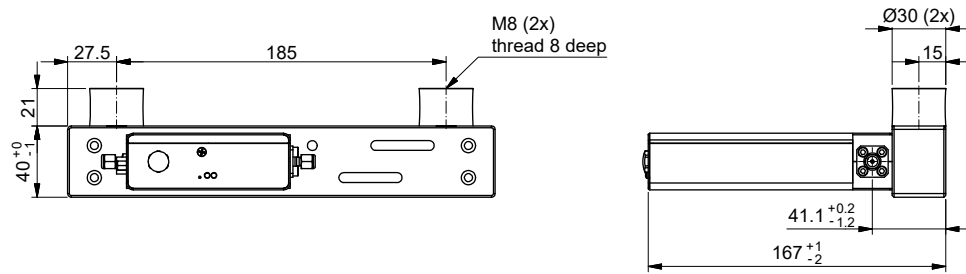
Tolerances ± 0.2 unless otherwise mentioned



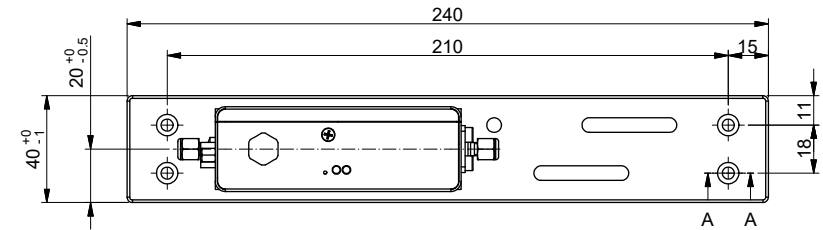
Title: Dimensional drawing ML120V00 / ML120V21		Drawn by: J.H. Date: 23-04-2015		Revision Description: Mass blocks added	
		Rev. by: M.H. Date: 12-12-2022		Scale: 1 : 1	
		Checked: F.L. Date: 12-12-2022			
Projection: Third Angle 		Drawing no.: 7.05.925		Page: 1 - 3	
Dimensions: Metric (mm)		Rev: F		A3	

Mass block 2kg

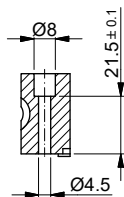
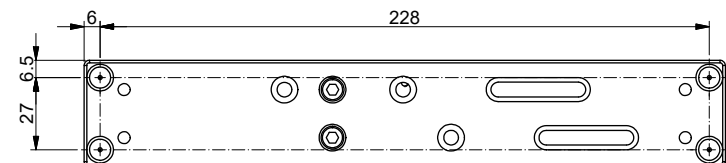
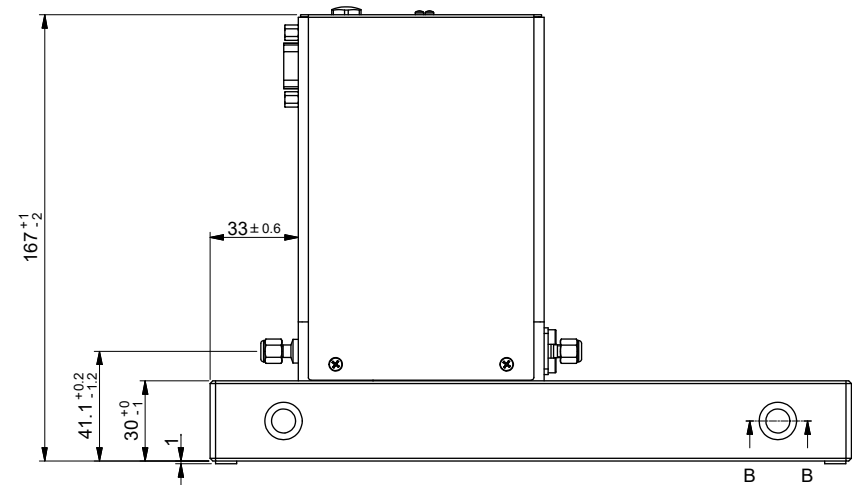
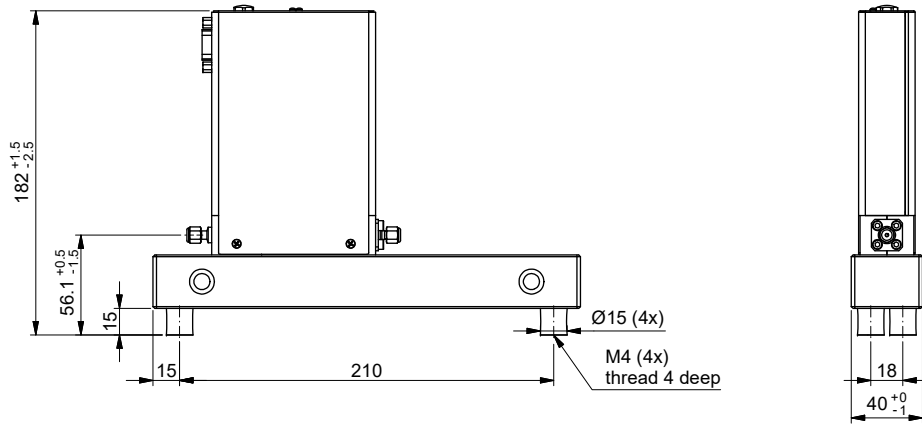
Option 1:
Mass block 2kg with large dampeners for wall mounting



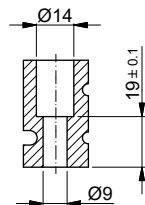
ML120V00 / ML120V21 including 2kg massblock with rubber pads



Option 2:
Mass block 2kg with small dampeners



section view
A-A (1 : 2)



section view
B-B (1 : 2)

Tolerances ± 0.2 unless
otherwise mentioned

Title:
Dimensional drawing
ML120V00 / ML120V21



Projection:
Third Angle
Dimensions:
Metric (mm)

Drawn by: J.H.
Date: 23-04-2015
Rev. by: M.H.
Date: 12-12-2022
Checked: F.L.
Date: 12-12-2022

Revision Description:
Mass blocks added

Scale:
1 : 2

A3

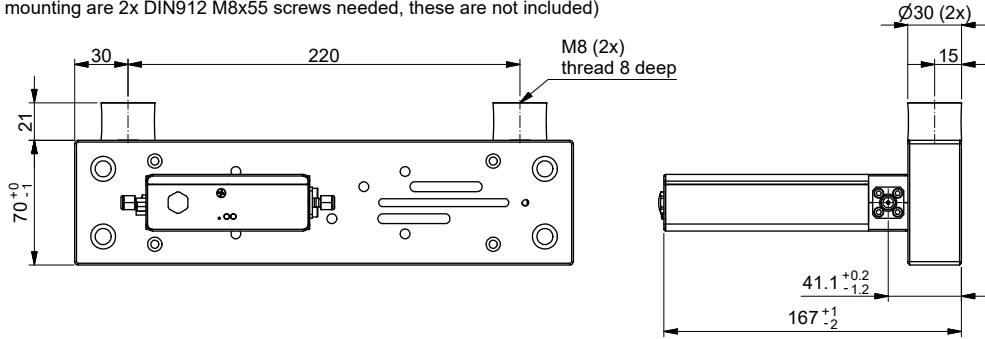
Drawing no.: 7.05.925

Rev: F

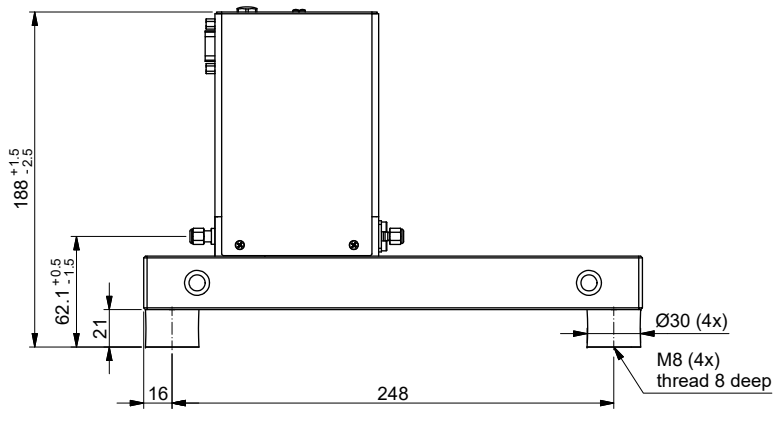
Page:
2 - 3

Mass block 4kg

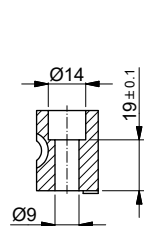
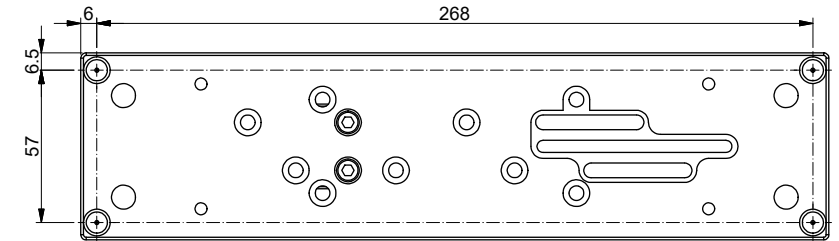
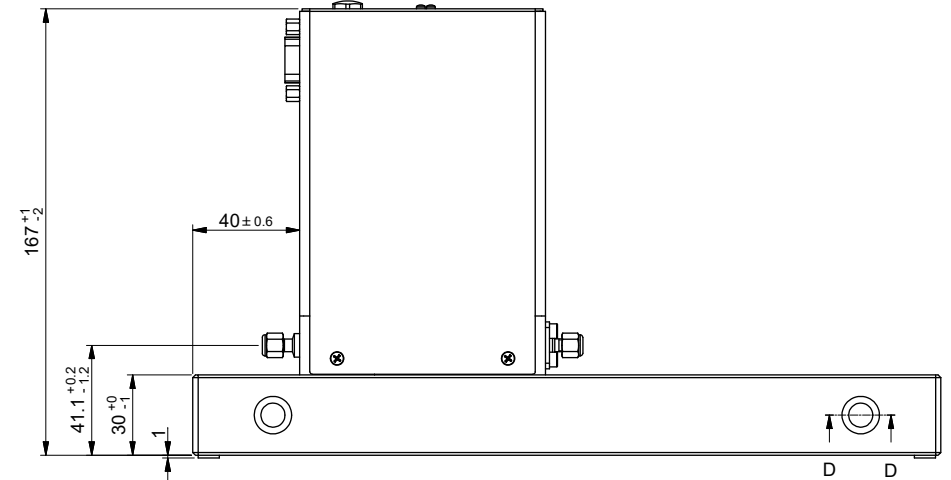
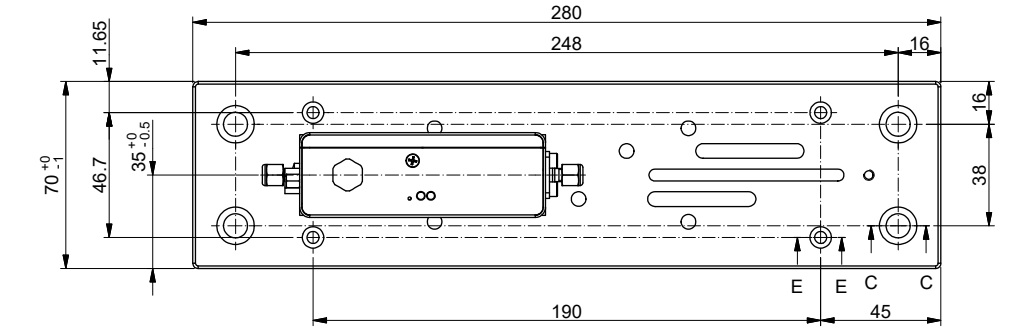
Option 1:
Mass block 4kg with large dampeners for wall mounting
(for wall mounting are 2x DIN912 M8x55 screws needed, these are not included)



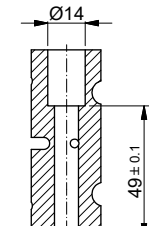
Option 2:
Mass block 4kg with large dampeners



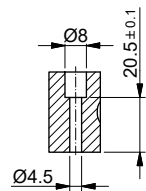
ML120V00 / ML120V21 including 4kg massblock with rubber pads



section view
C-C (1 : 2)



section view
D-D (1 : 2)



section view
E-E (1 : 2)

Tolerances ± 0.2 unless
otherwise mentioned

Title:
Dimensional drawing
ML120V00 / ML120V21



Projection:
Third Angle
Dimensions:
Metric (mm)

Drawn by: J.H.
Date: 23-04-2015

Rev. by: M.H.
Date: 12-12-2022

Checked: F.L.
Date: 12-12-2022

Revision Description:
Mass blocks added

Scale:
1 : 3

A3

Drawing no.: 7.05.925

Rev: F

Page:
3 - 3