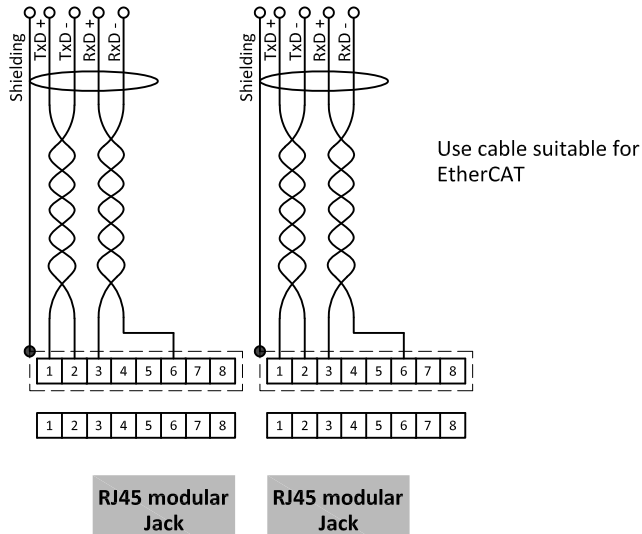
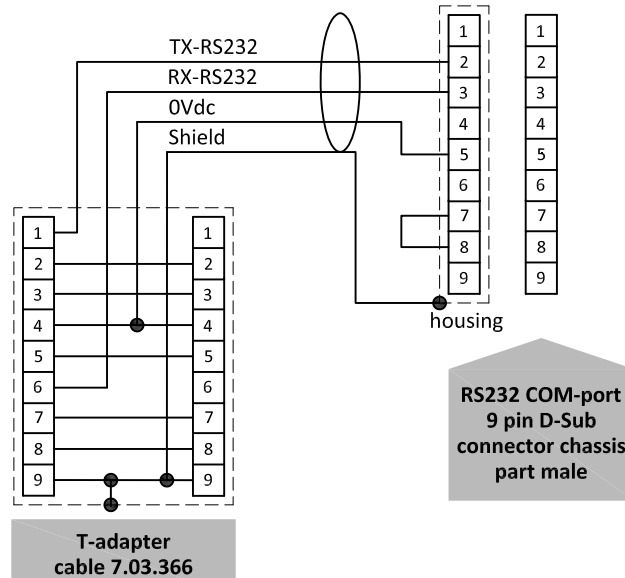


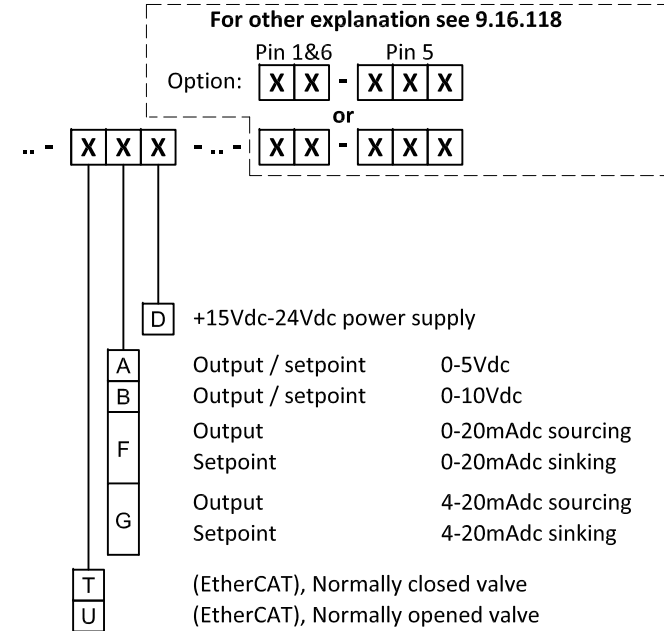
EtherCAT connection



RS232 connection



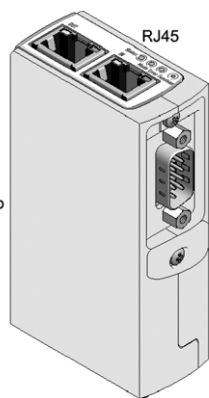
Model key explanation



2x RJ45 connector chassis part female



9 pin D-Sub Connector chassis part male

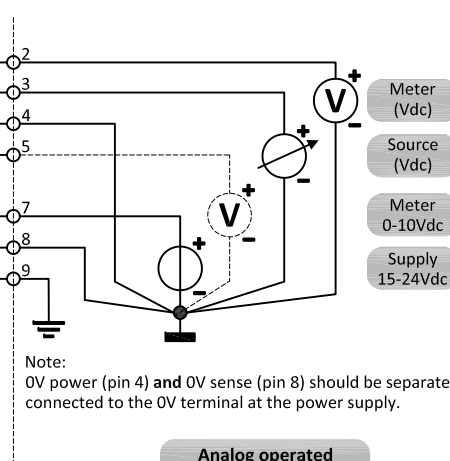


- 1 TX-RS232/BUS
 - 2 Analog output
 - 3 Analog input
 - 4 0V power
 - 5 Custom 1
 - 6 RX-RS232/BUS
 - 7 +Us
 - 8 0V sense
 - 9 Shield
- Instrument signals

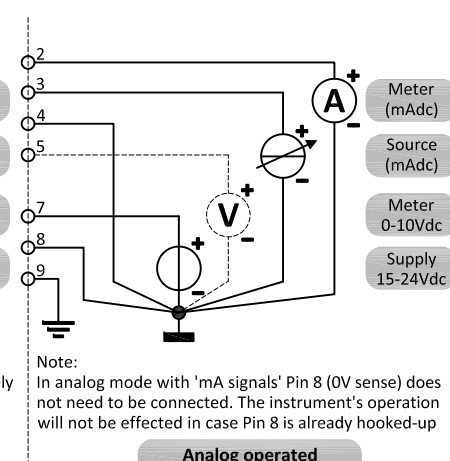
9 pin D-Sub connector chassis part male

- 1 Analog output
 - 2 Analog input
 - 3 0V power
 - 4 Custom 1
 - 5 RX-RS232/BUS
 - 6 +Us
 - 7 0V sense
 - 8 Shield
 - 9
- housing

9 pin D-Sub connector cable part female



Analog operated
0-5 or 0-10Vdc



Analog operated
0-20 or 4-20mAdc

Note:
1) Default disabled, 0Vdc.

Note:
When using a field bus or RS232, it is not possible to operate the instrument by using the setpoint signal of the analog D-sub connector without changing the value of parameter "control mode". See doc.nr. 9.17.023 for more details.
Do not connect an external valve to instruments, set as MFM or EPM.