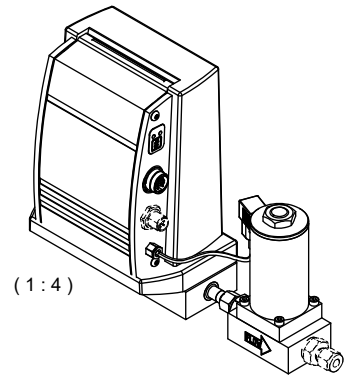
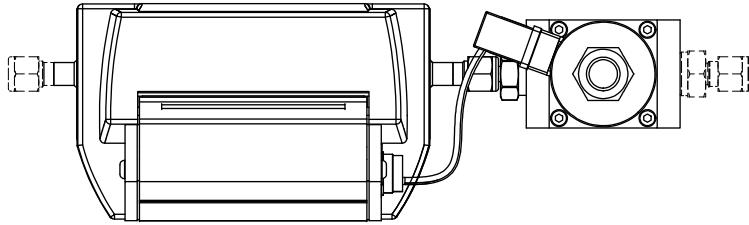
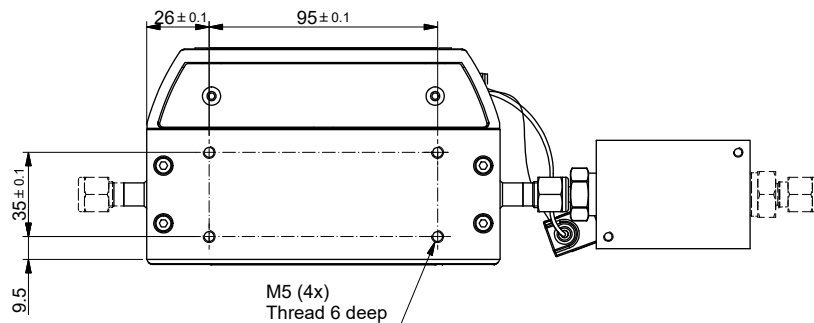
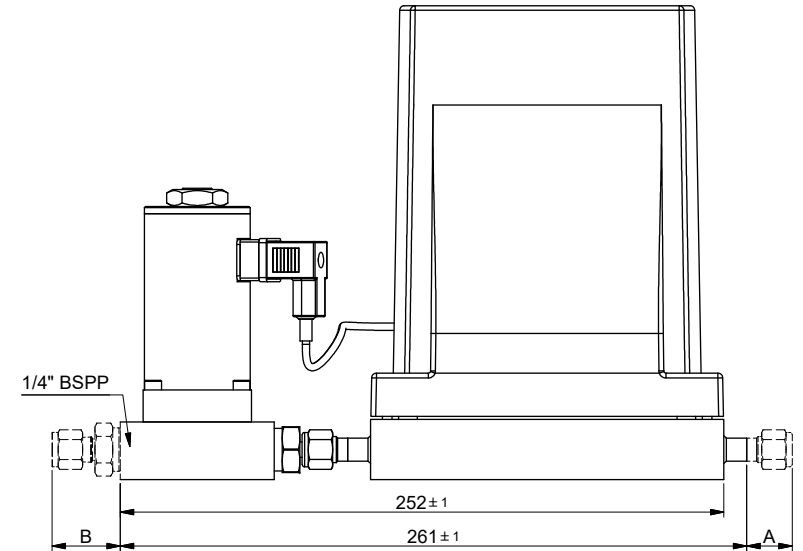
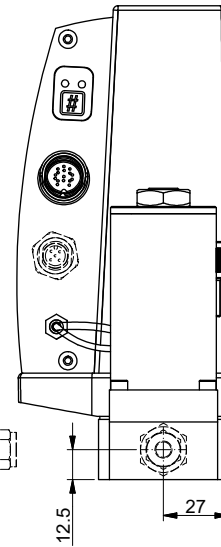
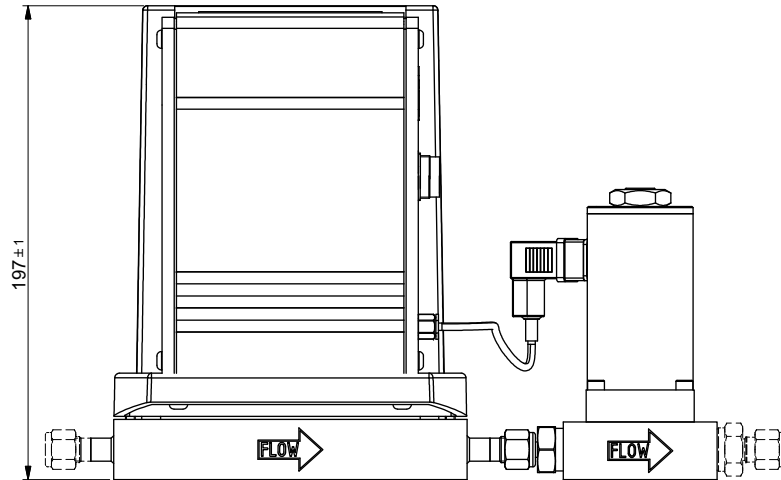
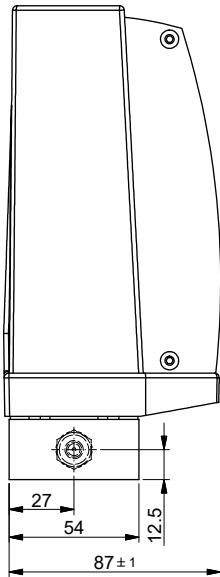


(1:4)




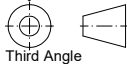
(1:4)



Check document 7.05.672 for dimension A.  
Check document 7.15.117 for dimension B.

These dimensions are for reference only and subject to change without notice.

Tolerances  $\pm 0.2$  unless otherwise mentioned

Title: <b>Dimensional drawing M5XC4 CORI-FLOW</b>		Drawn by: J.H. Date: 07-03-2001	Revision Description: Update drawing	Scale: 0.45 : 1	A3
 Projection:  Third Angle Dimensions: Metric (mm)		Rev. by: M.H. Date: 06-05-2022	Checked: F.L. Date: 06-05-2022	Drawing no.: <b>7.05.457</b>	Rev: <b>M</b>
		Page: 1 - 1			