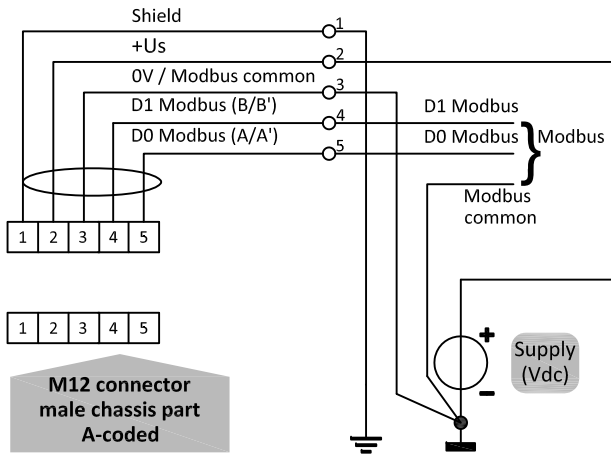
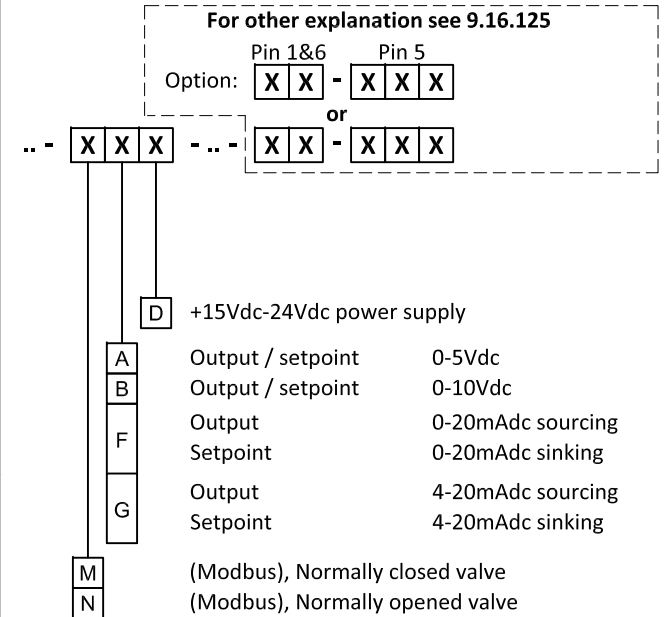


Modbus connection



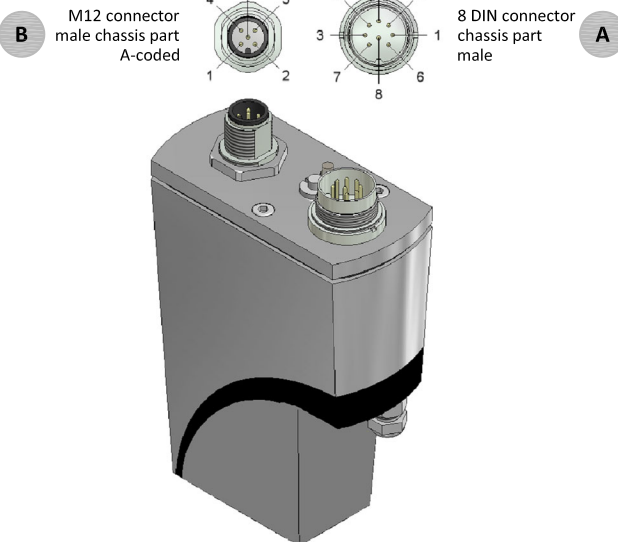
Model key explanation



POWER SUPPLY WARNING

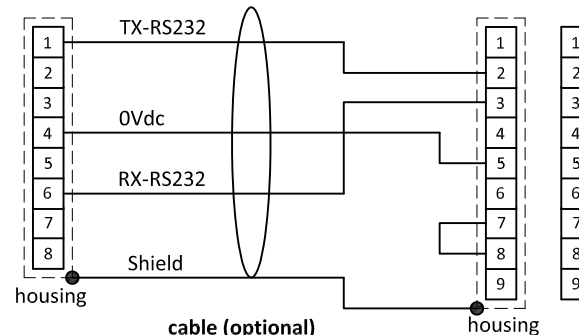


Do not power the instrument simultaneously from two different power sources (e.g. bus connection and Plug-in Power Supply). Doing so will damage the printed circuit board irreparably.



1	TX-RS232/BUS
2	Analog output
3	Analog input
4	0V power
5	Custom ¹
6	RX-RS232/BUS
7	+Us
8	0V sense

Instrument signals



cable (optional)
7.03.340

8 DIN connector chassis part male

8 DIN connector cable part female

RS232 COM -port 9 pin D-Sub connector chassis part male

Notes:

- * When using a unit configured for a fieldbus or RS232 I/O, it is not possible to operate the instrument using the analog Input without changing the "control mode" parameter (see instruction manual). See doc.nr. 9.17.023 for more details.
- * Do not connect an external valve to instruments which is set as meter.
- * Powering a single instrument is possible by the 8 DIN connector. Please consult 9.16.126 for a connection diagram.
- * Make sure that the cable is de-energised before connecting or disconnecting the instrument.

Note:
1) Default disabled, 0Vdc.