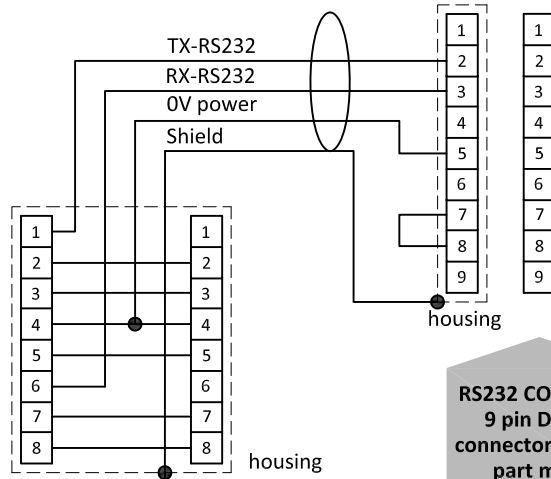


RS232+Analog I/O

MULTI-BUS Hook-up diagram

RS232 connection



RS232 COM-port
9 pin D-Sub
connector chassis
part male

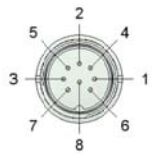
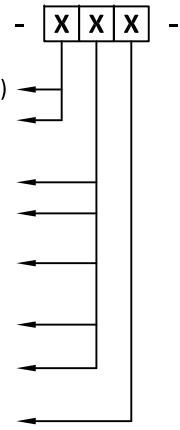
T-adapter
cable 7.03.444

Types

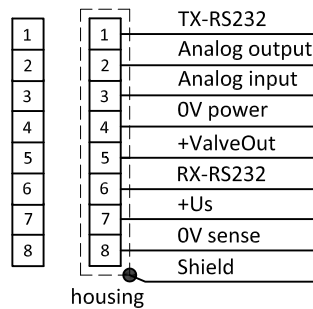
(mini)CORI-FLOW

Model key explanation

A	RS232 / Ana. I/O	Normally Closed (NC)	←
B	RS232 / Ana. I/O	Normally Open (NO)	←
A	Output / setpoint	0...5Vdc	←
B	Output / setpoint	0...10Vdc	←
F	Output	0...20mAcd sourcing	←
	Setpoint	0...20mAcd sinking	←
G	Output	4...20mAcd sourcing	←
	Setpoint	4...20mAcd sinking	←
Z	Output / setpoint	Specified	←
D	+15Vdc ... 24Vdc power supply		←



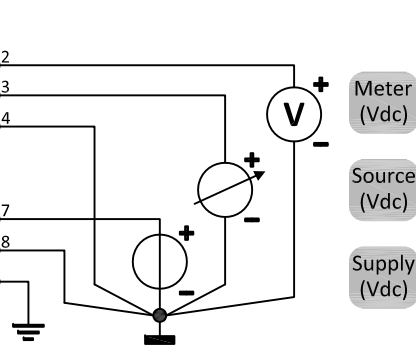
8 DIN connector
chassis part
male



8 DIN
connector
chassis part
male

8 DIN
connector
cable part
female

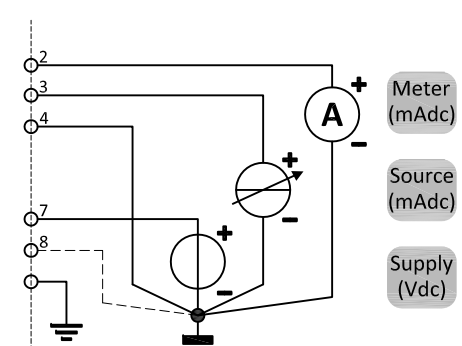
Note:
Do not connect an external valve to instruments, set as MFM.



Note:
0V power (pin 4) and 0V sense (pin 8) should be separately connected to the 0V terminal at the power supply.

Analog operated
0...5 or 0...10Vdc

Note:
When using a field bus or RS232, it is not possible to operate the instrument by using the setpoint signal of the analog 8 DIN connector without changing the value of parameter "control mode". See doc.nr. 9.17.023 for more details



Note:
In analog mode with 'mA signals' Pin 8 (0V sense) does not need to be connected. The instrument's operation will not be effected in case Pin 8 is already hooked-up

Analog operated
0...20 or 4...20mAcd