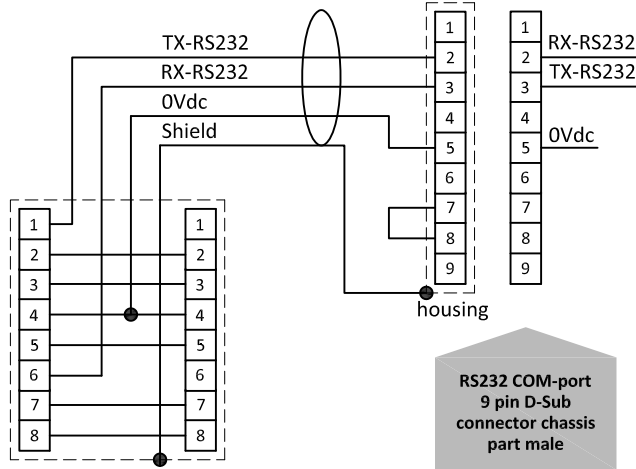


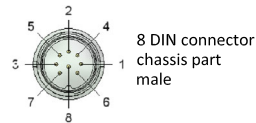
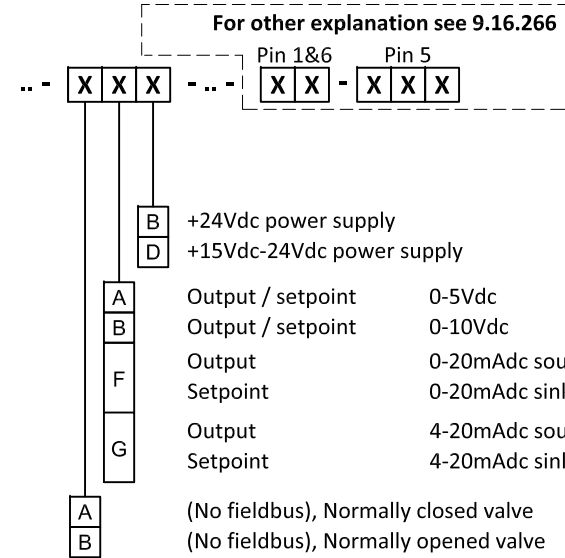
RS232 connection



RS232 COM-port
9 pin D-Sub
connector chassis
part male

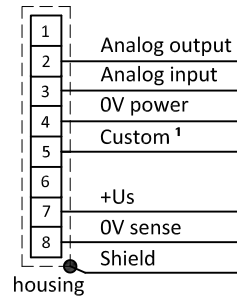
T-adapter
cable 7.03.444

Model key explanation



| | |
|---|---------------|
| 1 | TX-RS232/BUS |
| 2 | Analog output |
| 3 | Analog input |
| 4 | 0V power |
| 5 | Custom 1 |
| 6 | RX-RS232/BUS |
| 7 | +Us |
| 8 | 0V sense |

Instrument signals



8 DIN
connector
chassis part
male

8 DIN
connector
cable part
female

Note:
0V power (pin 4) and 0V sense (pin 8) should be separately
connected to the 0V terminal at the power supply.

Analog operated
0-5 or 0-10Vdc

Note:
In analog mode with 'mA signals' Pin 8 (0V sense) does
not need to be connected. The instrument's operation
will not be effected in case Pin 8 is already hooked-up

Analog operated
0-20 or 4-20mAcd

Note:
1) Default disabled, 0Vdc.

Note:
When using a field bus or RS232, it is not possible to operate the instrument by using the setpoint signal of the analog 8 DIN connector without changing the value of parameter "control mode".
See doc.nr. 9.17.023 for more details.
Do not connect an external valve to instruments, set as MFM or EPM.