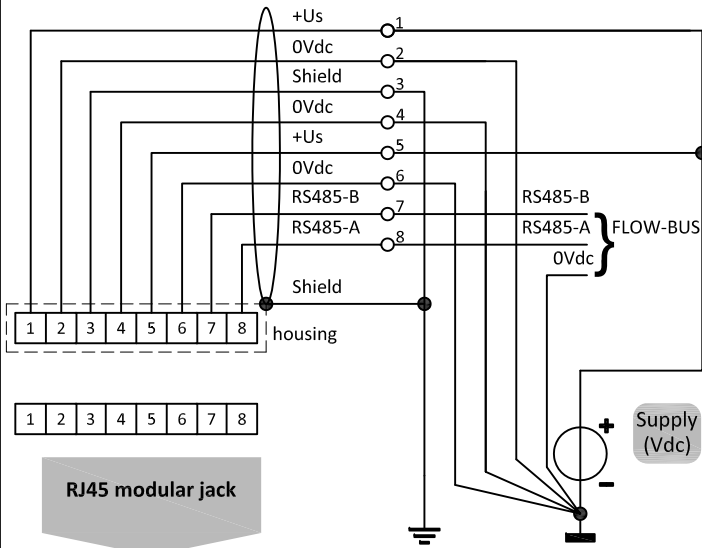
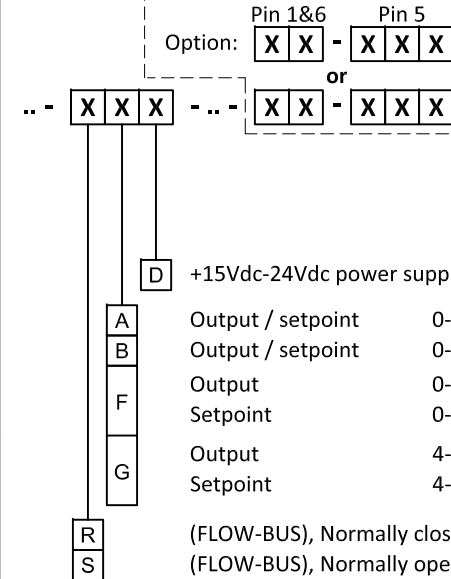


FLOW-BUS connection



Model key explanation

For other explanation see 9.16.118



POWER SUPPLY WARNING

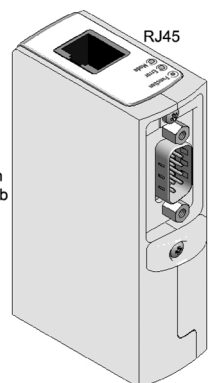
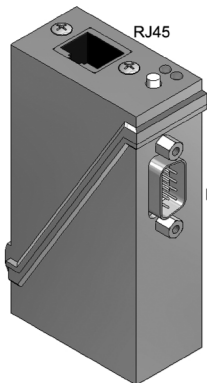
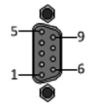


Do not power the instrument simultaneously from two different power sources (e.g. bus connection and Plug-in Power Supply). Doing so will damage the printed circuit board irreparably.

RJ45 modular jack

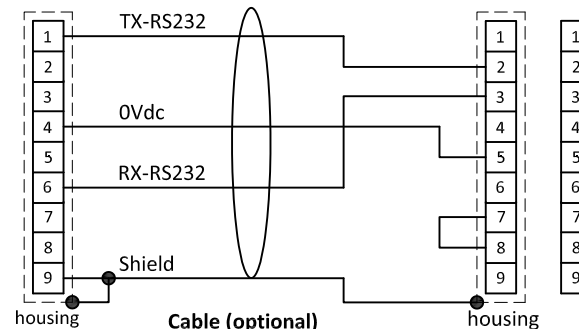


9 pin D-Sub Connector chassis part male



1	TX-RS232/BUS
2	Analog output
3	Analog input
4	0V power
5	Custom ¹
6	RX-RS232/BUS
7	+Us
8	0V sense
9	Shield

Instrument signals



Cable (optional)
7.03.367

Notes:

- * When using a field bus or RS232, it is not possible to operate the instrument by using the setpoint signal of the analog D-sub connector without changing the value of parameter "control mode". See doc.nr. 9.17.023 for more details
- * Do not connect an external valve to instruments which is set as meter.
- * Powering a single instrument is possible by the D-sub connector. Please consult 9.16.119 for a connection diagram.
- * Make sure that the cable is de-energised before connecting or disconnecting the instrument.

9 pin D-Sub connector chassis part male

9 pin D-Sub connector cable part female

RS232 COM -port 9 pin D-Sub connector chassis part male

Note:
1) Default disabled, 0Vdc.