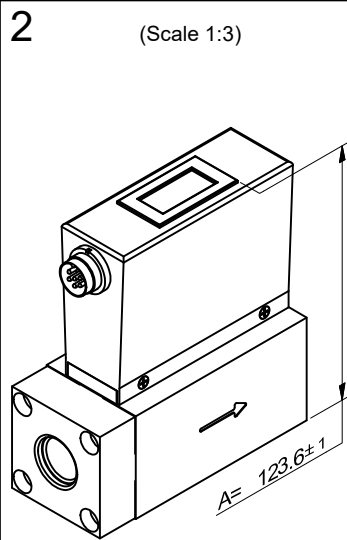
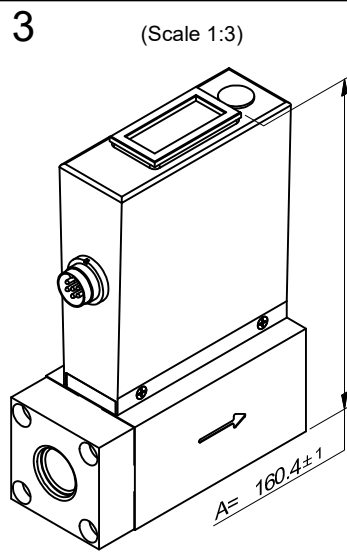


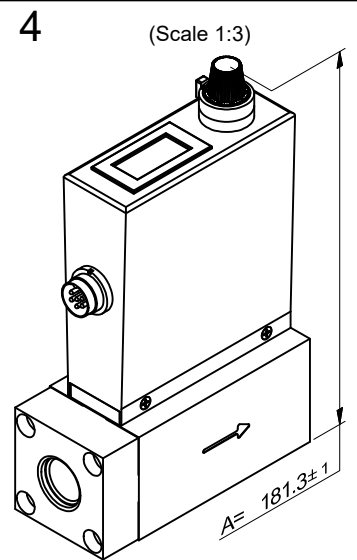
Analog case assy



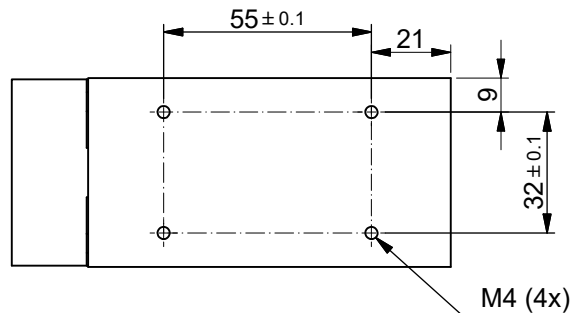
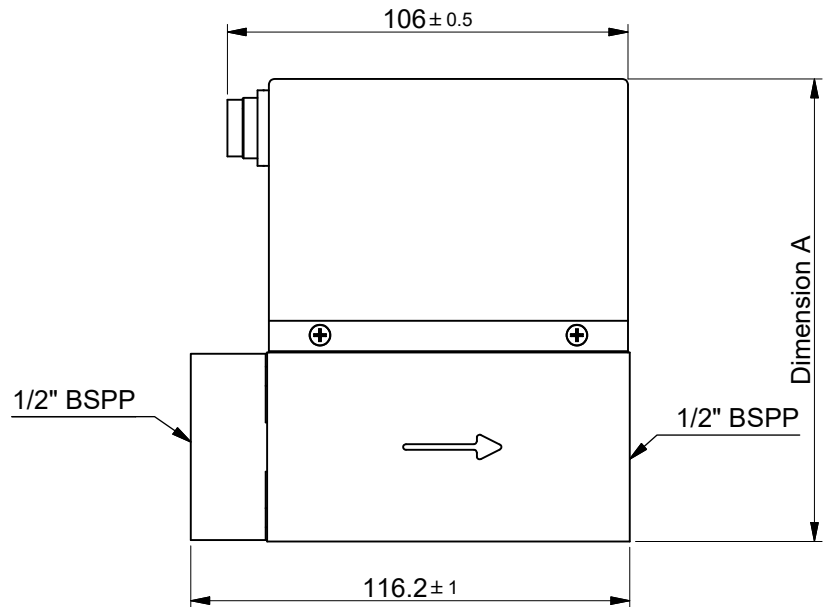
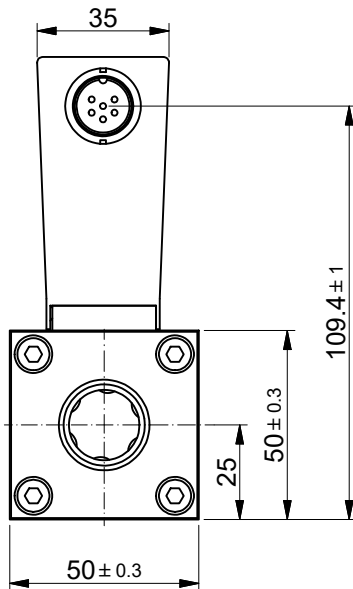
Analog case assy with display



Analog case assy with V/F convertor


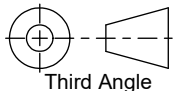


Analog case assy including potentiometer



Dimensions subject to change without notice.

Tolerances  $\pm 0.2$  unless otherwise mentioned

Title: <b>Dimensional drawing MASS-STREAM™ D-6270</b>		Drawer : P.T.B. Date: 07-05-1998	Revision Description: Rebranded and renamed.		
 WWW.BRONKHORST.COM	Projection:  Third Angle	Checked : J.E. Date: 08-09-2016	Rev. by: R.Ge.	Scale: 1:2	A4
	Dimensions: Metric (mm)	Drawing no.: 7.05.392	Rev.: I	Page: 1-1	