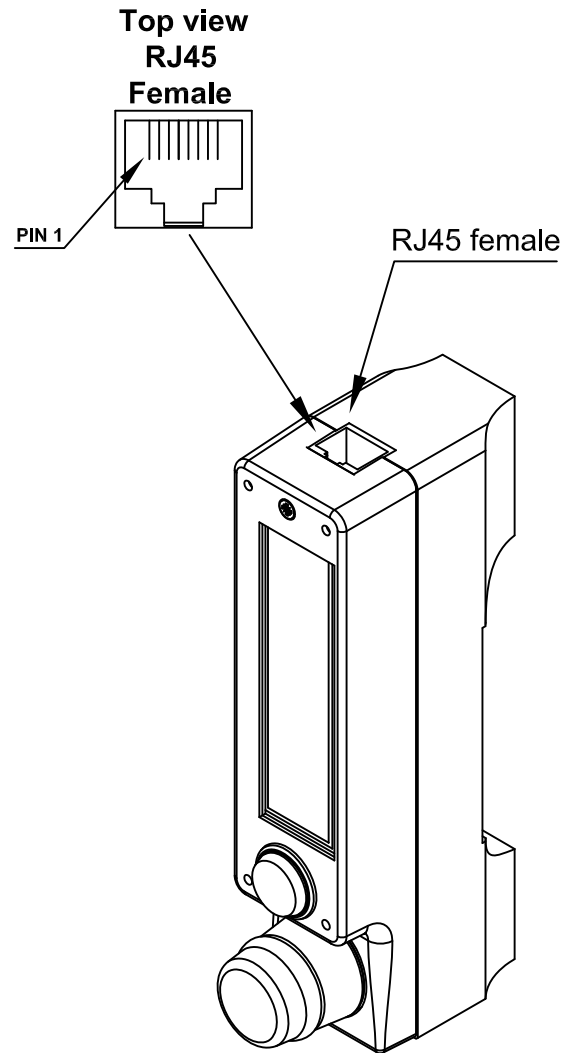
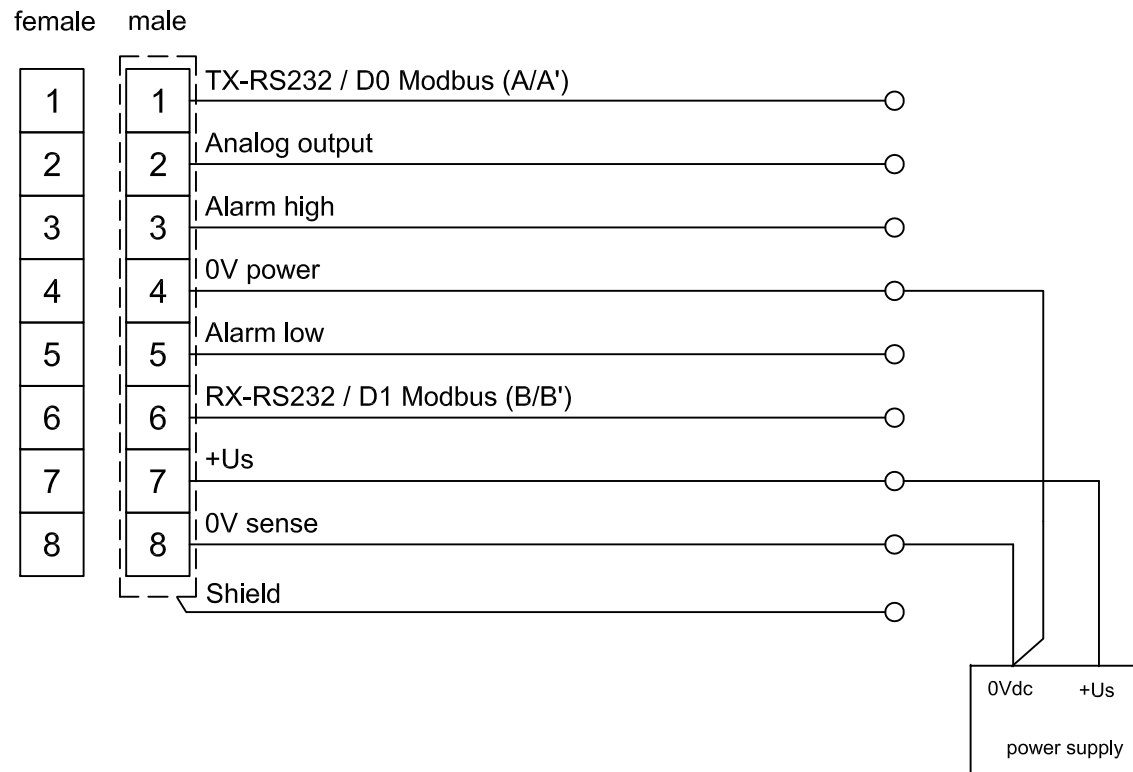


MASS-VIEW Meter, Regulator and Controller



Output: 0...5Vdc
Supply voltage: +15Vdc...+24Vdc



Note :
0V power (pin 4) **and** 0V sense (pin 8) should be separately connected to the 0V terminal at the power supply.