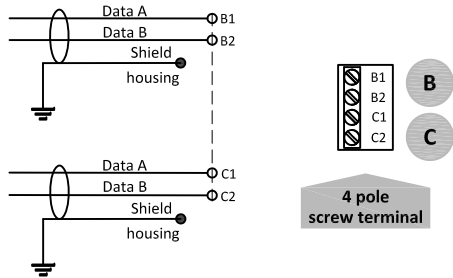


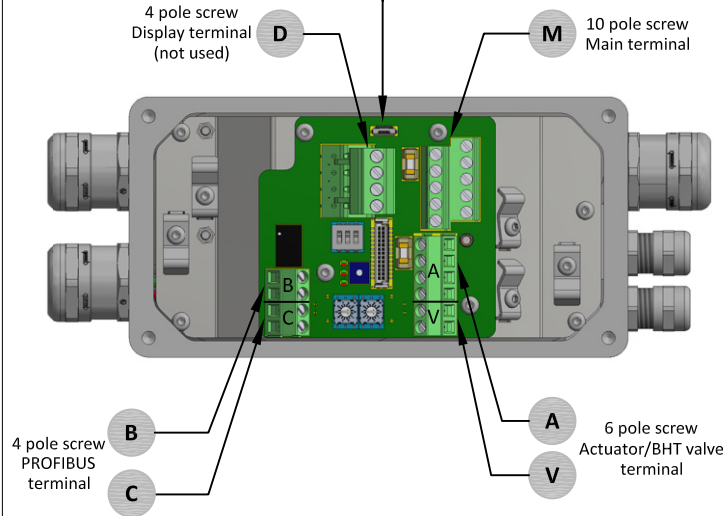
PROFIBUS DP

MI1x0 Hook-up diagram

PROFIBUS connection



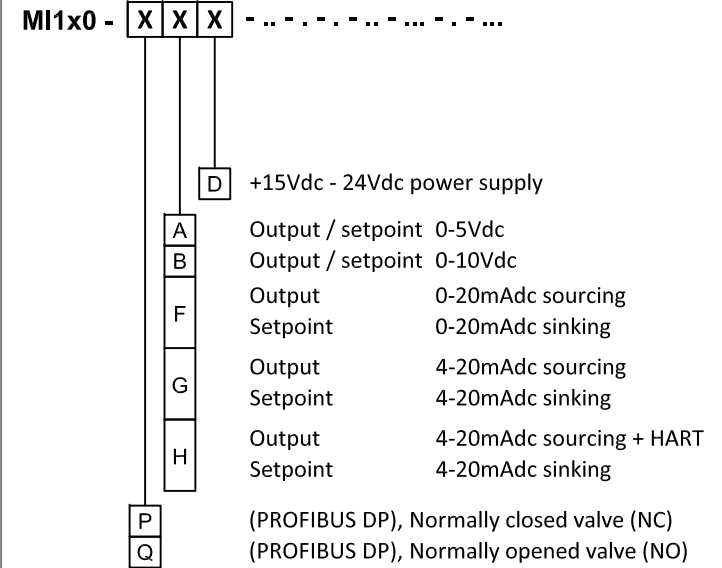
USB connector for service purposes



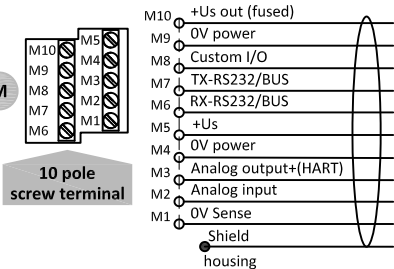
Note:
 • For information about the 6 pole screw terminal A/V. See doc.nr. 9.16.205 for more details.
 Note:
 • For information about the begin and end termination. See doc.nr. 9.17.012 for more details.

Model key explanation

For model key explanations of optional bus and IO configurations see 9.16.205

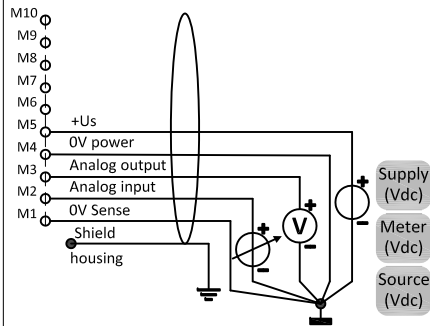


Main terminal + General notes



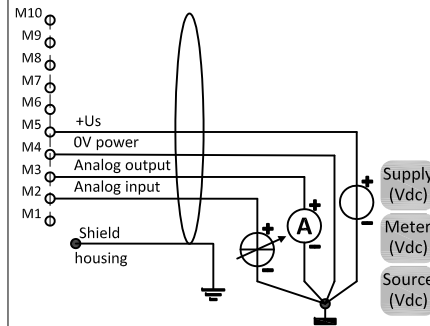
Note:
 • Use only suitable cables for installation and install them properly.
 • Do **not connect** an external valve to instruments which is set as meter.
 • Terminal M8, M9 and M10 may be used for customized IO configurations, see 9.16.205.
 • When terminal M6 and M7 are set as fieldbus instead of RS232, see 9.16.205 for hook-up of the fieldbus interface.
 • If the instrument is set for digital communication, it is not possible to use the analog input (terminal M2) as setpoint source by default. See doc. no. 9.17.120 for changing the default control mode for the instrument.

Analog 0-5 or 0-10Vdc



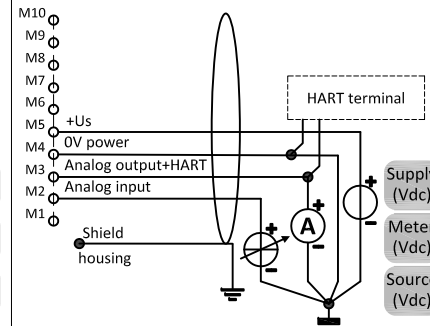
Note:
 • 0V power and 0V sense should be separately connected to the 0V.

Analog 0-20 / 4-20mAcd



Note:
 • In analog mode with 'mA signals' (0V sense) does not need to be connected. The instrument's operation will not be effected in case is already hooked-up.

Analog 4-20mA + HART (option)



Note:
 • When using the HART option, the 4-20mA output must be connected to ground by a resistance of at least 250Ω - max. 600Ω.

Digital RS232 connection

