
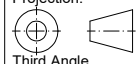


For bus applications height H=max. 18mm  
Please note that the height increases when a contra connector is used.

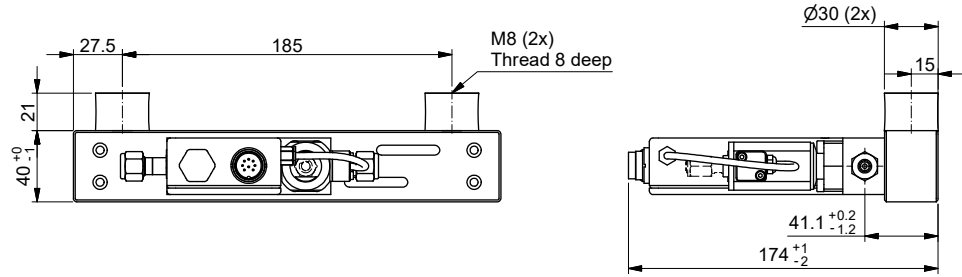
Check document 7.05.672 for dimension A.  
Dimensions subject to change without notice.

Tolerances ± 0.2 unless otherwise mentioned

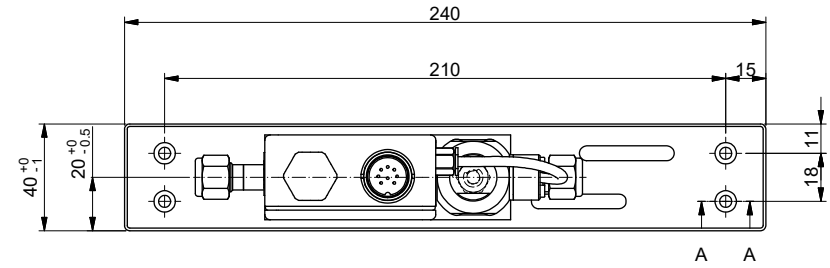
Title: <b>Dimensional drawing</b> <b>M12/M13/M14 V10I/V11I/V14I weld</b>		Drawn by: J.H. Date: 14-11-2007		Revision Description: Mass blocks added	
 www.BRONKHORST.COM		Rev. by: M.d.J. Date: 12-12-2022		Scale: 1 : 1	
		Projection:  Third Angle			
Dimensions: Metric (mm)		Checked: F.L. Date: 12-12-2022		Page: 1 - 3	
Drawing no.: <b>7.05.687</b>			Rev: <b>D</b>		<b>A3</b>

# Mass block 2kg

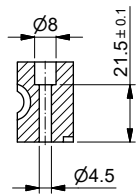
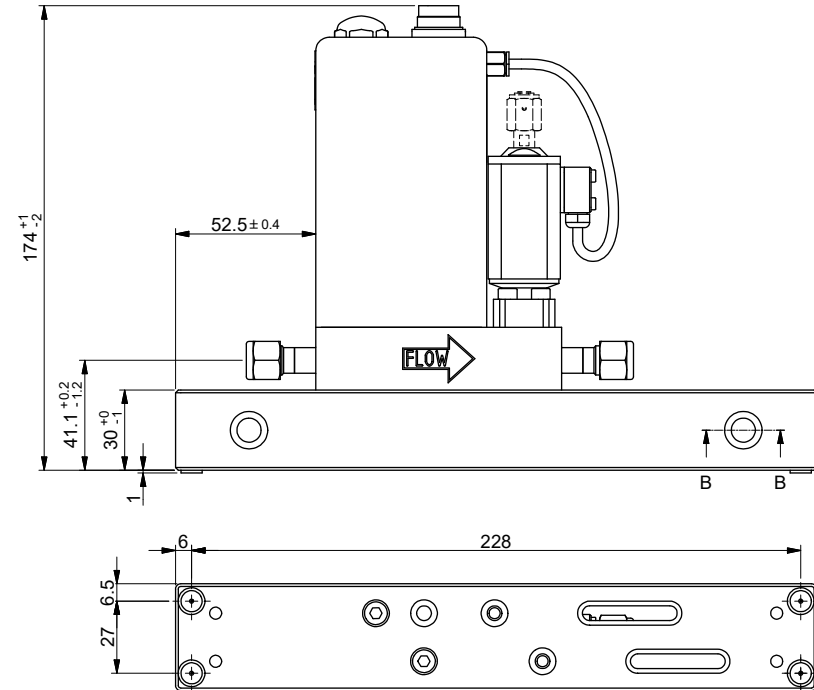
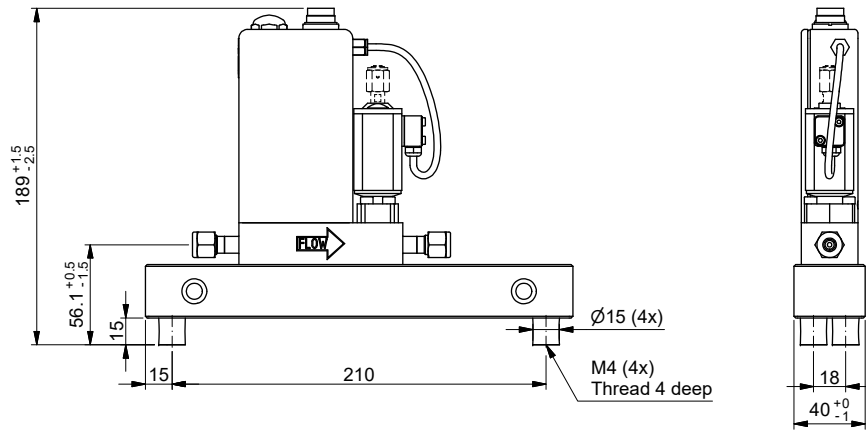
Option 1:  
Mass block 2kg with large dampeners for wall mounting



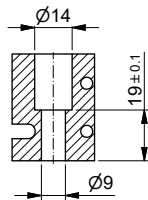
M12/M13/M14 including 2kg massblock with rubber pads



Option 2:  
Mass block 2kg with small dampeners



section view A-A ( 1 : 2 )



section view B-B ( 1 : 2 )

Tolerances ± 0.2 unless otherwise mentioned

Title: Dimensional drawing  
M12/M13/M14 V10I/V11I/V14I weld

Drawn by: J.H.  
Date: 14-11-2007

Rev. by: M.d.J.  
Date: 12-12-2022

Checked: F.L.  
Date: 12-12-2022

Revision Description:  
Mass blocks added



Projection:  
Third Angle  
Dimensions:  
Metric (mm)

Drawing no.: 7.05.687

Rev: D

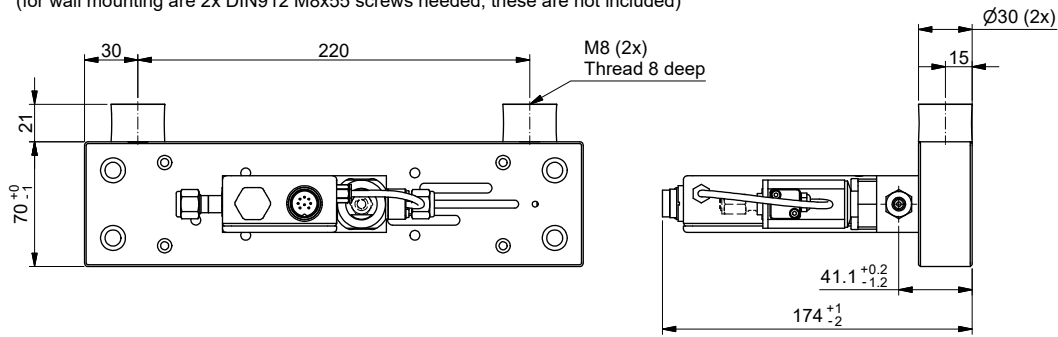
Scale:  
1 : 3

A3

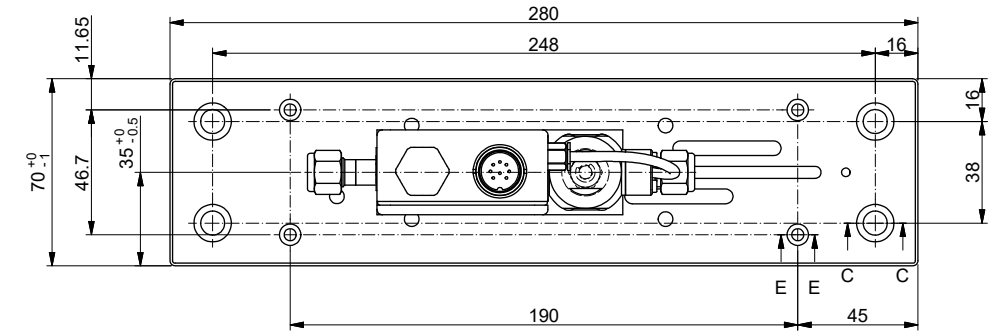
Page:  
2 - 3

# Mass block 4kg

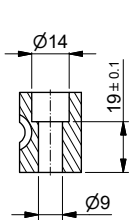
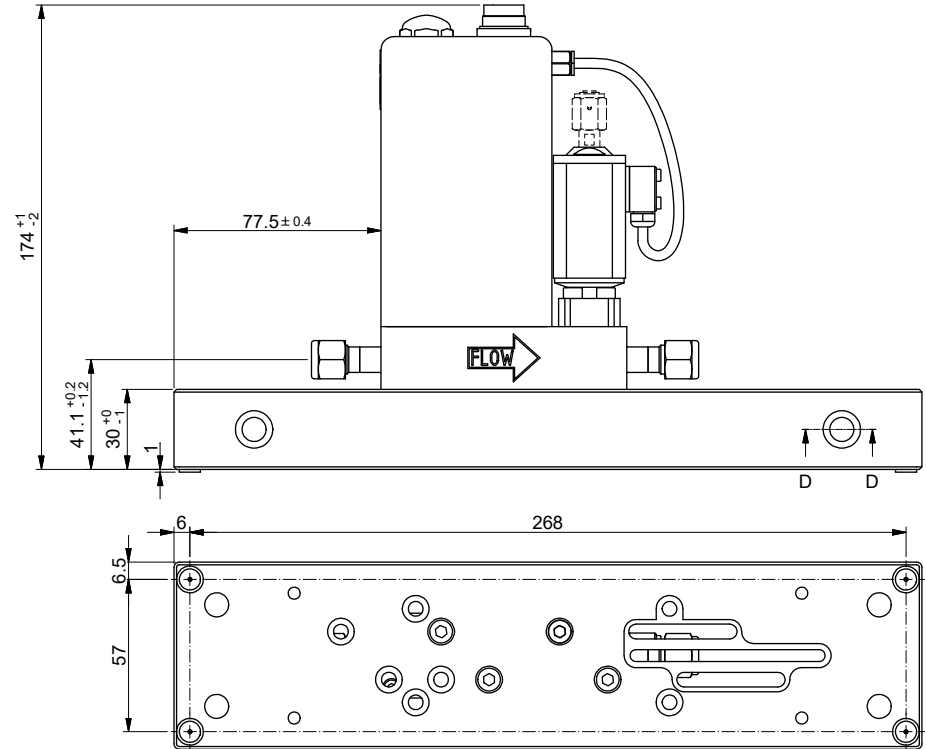
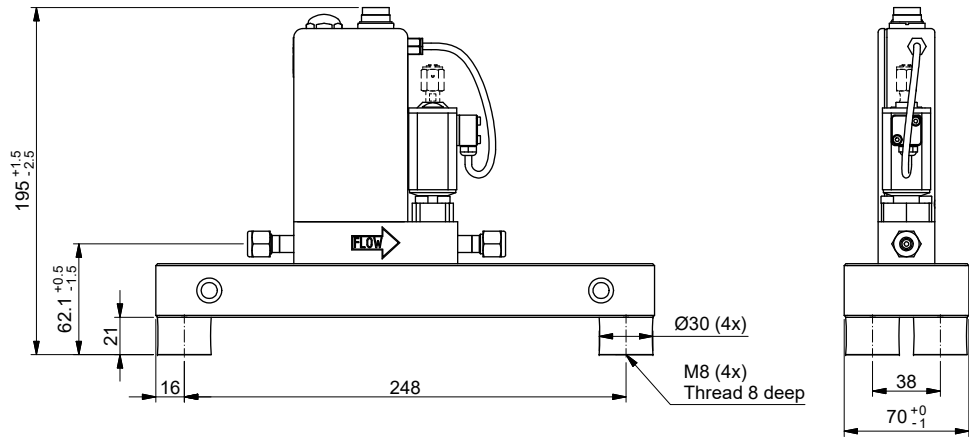
Option 1:  
Mass block 4kg with large dampeners for wall mounting  
(for wall mounting are 2x DIN912 M8x55 screws needed, these are not included)



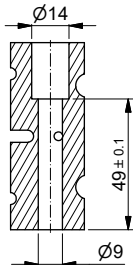
M12/M13/M14 including 4kg massblock with rubber pads



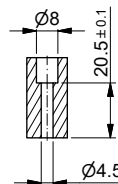
Option 2:  
Mass block 4kg with large dampeners



section view  
C-C (1 : 2)



section view  
D-D (1 : 2)



section view  
E-E (1 : 2)

Tolerances  $\pm 0.2$  unless  
otherwise mentioned

Title:  
Dimensional drawing  
M12/M13/M14 V10I/V11I/V14I weld

  
**Bronkhorst**  
WWW.BRONKHORST.COM

Projection:  
Third Angle  
Dimensions:  
Metric (mm)

Drawn by: J.H.  
Date: 14-11-2007  
Rev. by: M.d.J.  
Date: 12-12-2022  
Checked: F.L.  
Date: 12-12-2022

Revision Description:  
Mass blocks added

Scale: 1 : 2	A3
Drawing no.: <b>7.05.687</b>	Rev: <b>D</b> Page: 3 - 3