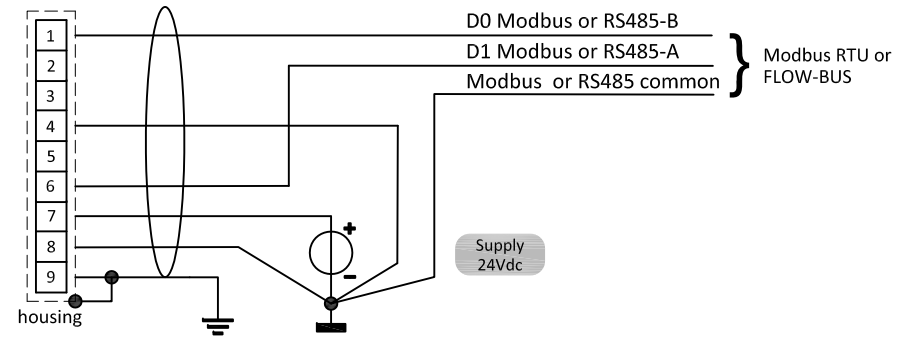


1	D0 Modbus (A/A') or RS485-B
2	Not connected
3	Not connected
4	0 Vs
5	Not connected
6	D1 Modbus (B/B') or RS485-A
7	+Us (24 Vdc)
8	0 Vs
9	Shield

Instrument signals

9 pin D-Sub connector chassis part male



9 pin D-Sub connector cable part female