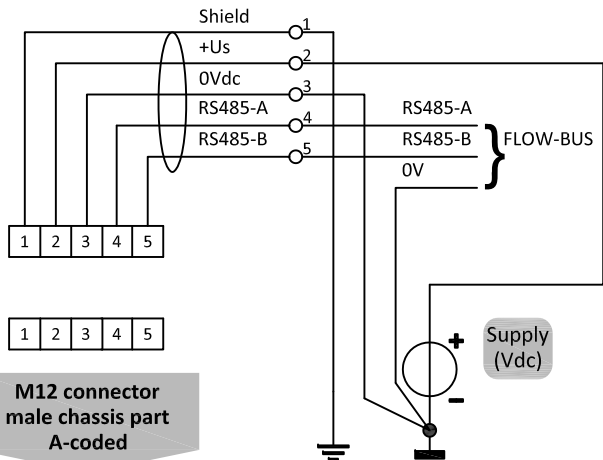


# FLOW-BUS

## Hook-up diagram

### FLOW-BUS connection



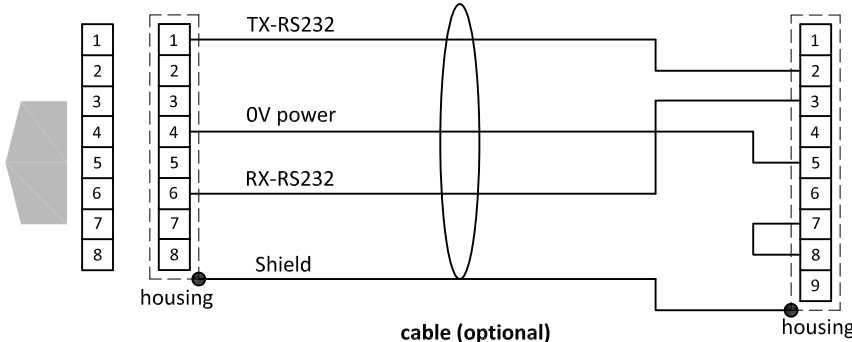
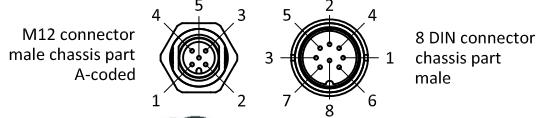
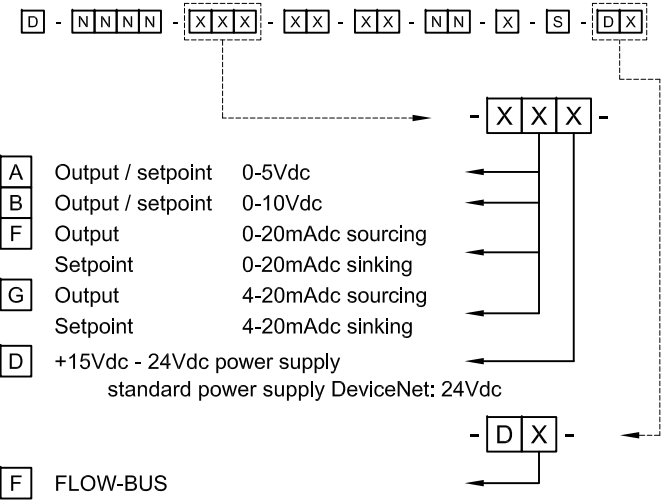
### POWER SUPPLY WARNING

Do not power the instrument simultaneously from two different power sources (e.g. bus connection and Plug-in Power Supply). Doing so will damage the printed circuit board irreparably.

### Types

D-6300 Series

### Model key explanation



8 DIN connector chassis part male

8 DIN connector cable part female

RS232 COM -port 9 pin D-Sub connector chassis part male

Note:  
When using a field bus or RS232, it is not possible to operate the instrument by using the setpoint signal of the analog 8 DIN connector without changing the value of parameter "control mode".  
See doc.no. 9.17.023 for more details

Note:  
Do not connect an external valve to instruments, set as MFM.

Note:  
Powering a single instrument is possible by the 8 DIN connector.  
See doc.no. 9.16.092 for the hook-up diagram.

Note:  
Make sure that the cable is de-energised before connecting or disconnecting the instrument.