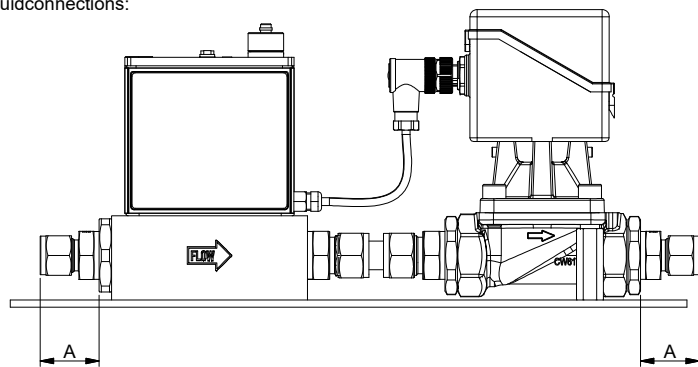

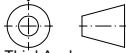


Optional fluidconnections:



Check document 7.14.155 for dimension A.  
Check document 7.14.112 for the height of the multibus instrument.  
Dimensions subject to change without notice.

Tolerances  $\pm 0.2$  unless otherwise mentioned

Title: <b>Dimensional drawing</b> <b>MASS-STREAM™ D-6473/BJ-1"</b>		Drawn by: M.H. Date: 13-03-2023	Revision Description:	
 Projection:  Third Angle Dimensions: Metric (mm)		Rev. by:		
		Date:		
		Checked: V.H./G.T. Date: 13-03-2023		
		Scale: 1 : 3	A3	
Drawing no.: <b>7.14.104</b>		Rev: <b>A</b>	Page: 1 - 1	