
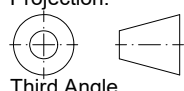
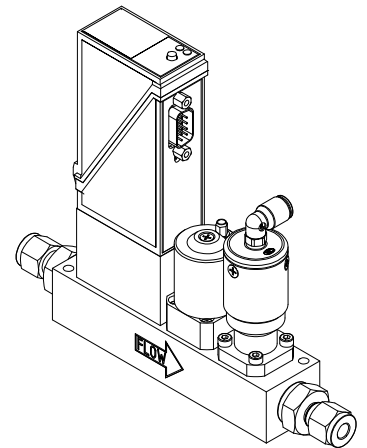
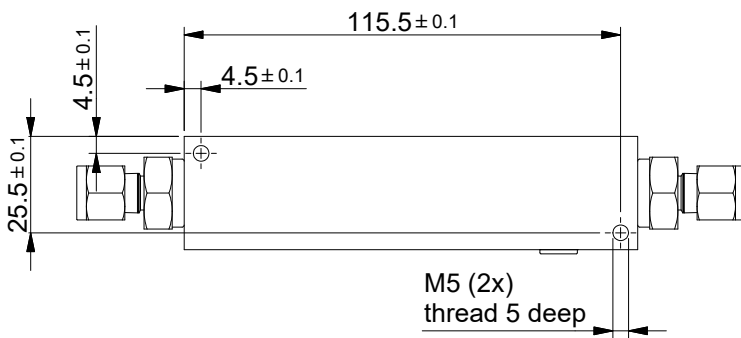
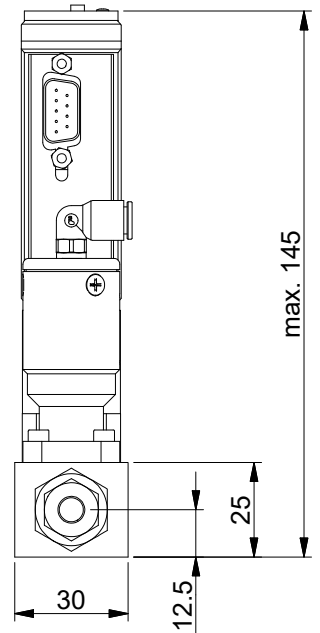
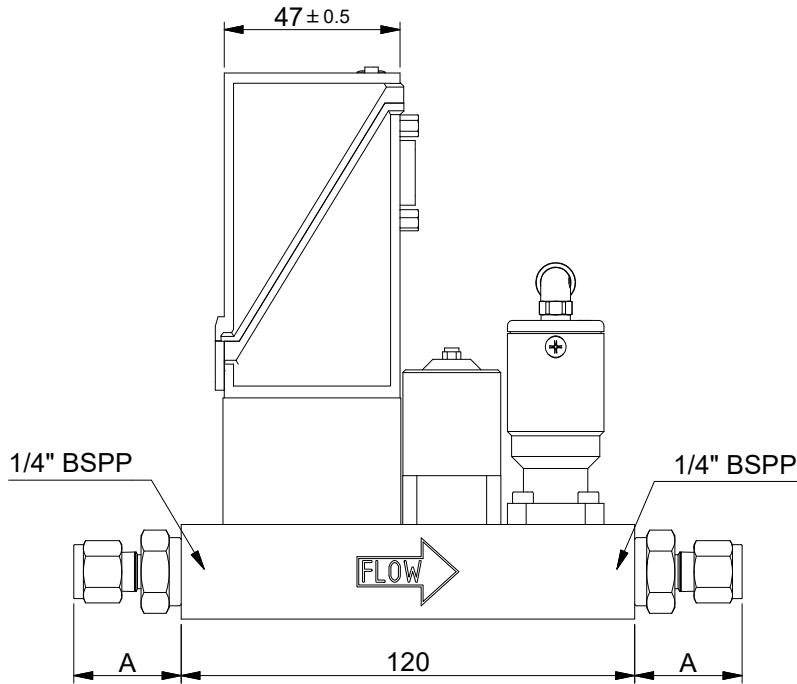
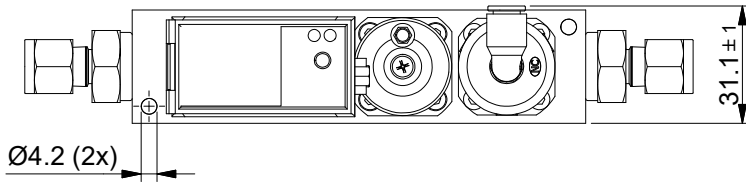


Check document 7.05.445 for the dimensions of the digital cases.
 Check document 7.15.117 for dimension A.
 Check document 7.05.827 for the dimensions and hook of the electrical shut-off valve.
 Dimensions subject to change without notice.


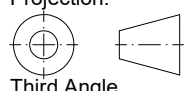
Tolerances ± 0.2 unless otherwise mentioned

Title: Dimensional drawing F-201CS / F-201DS / F-201ES Electrical shut-off valve		CONFIDENTIAL		Drawn by: M.d.J. Date: 30-08-2005		Revision Description: Pneumatic and electrical shut-off valves combined on 1 drawing.	
		Projection:  Third Angle		Rev. by: M.H. Date: 01-03-2021		Scale: 1 : 2 A4	
		Dimensions: Metric (mm)		Checked: J.E. Date: 01-03-2021			
				Drawing no.: 7.15.136		Rev: I	
						Page: 1 - 2	



Check document 7.05.445 for the dimensions of the digital cases.
 Check document 7.15.117 for dimension A.
 Check document 7.05.532 for the dimensions of the pneumatic shut-off valve
 Dimensions subject to change without notice.

Tolerances ± 0.2 unless otherwise mentioned

Title: Dimensional drawing F-201CS / F-201DS / F-201ES Pneumatic shut-off valve		CONFIDENTIAL		Drawn by: M.d.J. Date: 30-08-2005		Revision Description: Pneumatic and electrical shut-off valves combined on 1 drawing.	
		Projection:  Third Angle		Rev. by: M.H. Date: 01-03-2021		Scale: 1 : 2 A4	
		Dimensions: Metric (mm)		Checked: J.E. Date: 01-03-2021			
				Drawing no.: 7.15.136		Rev: I	
						Page: 2 - 2	