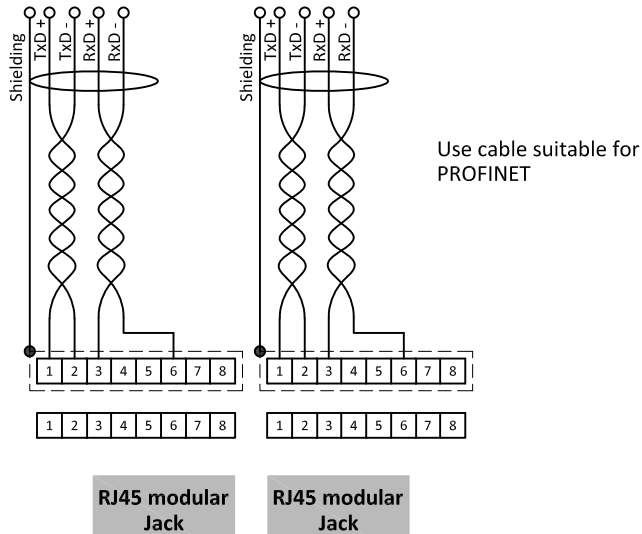
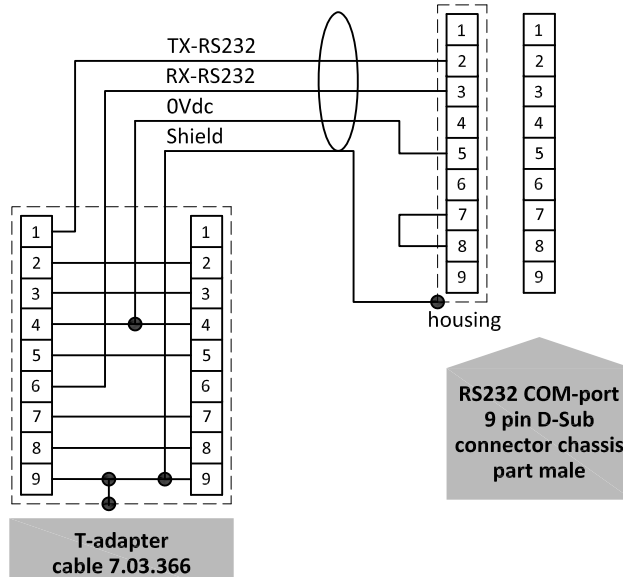


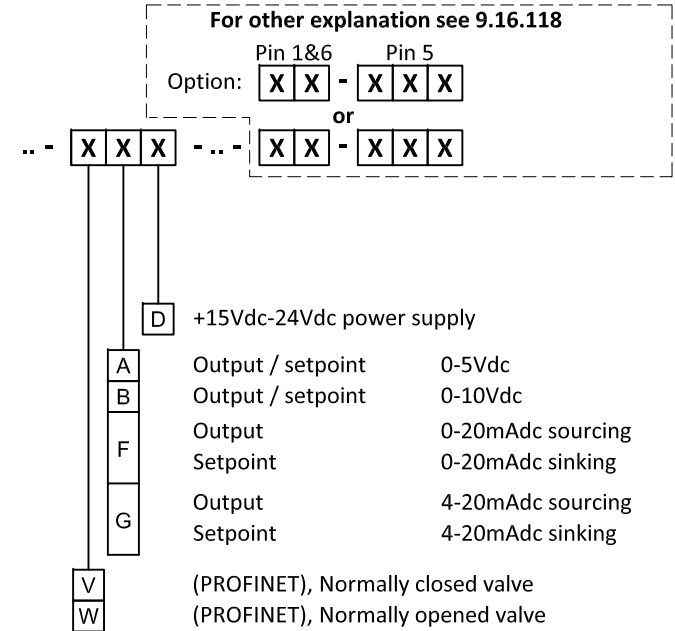
PROFINET connection



RS232 connection



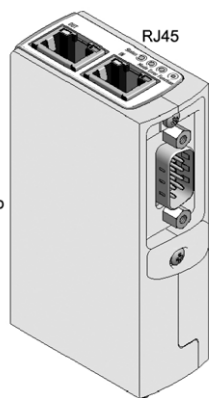
Model key explanation



2x RJ45
connector
chassis part
female



9 pin D-Sub
Connector
chassis part
male



- | | |
|---|---------------|
| 1 | TX-RS232/BUS |
| 2 | Analog output |
| 3 | Analog input |
| 4 | 0V power |
| 5 | Custom 1 |
| 6 | RX-RS232/BUS |
| 7 | +Us |
| 8 | 0V sense |
| 9 | Shield |
- Instrument signals

9 pin D-Sub
connector
chassis part
male

Note:
1) Default disabled, 0Vdc.

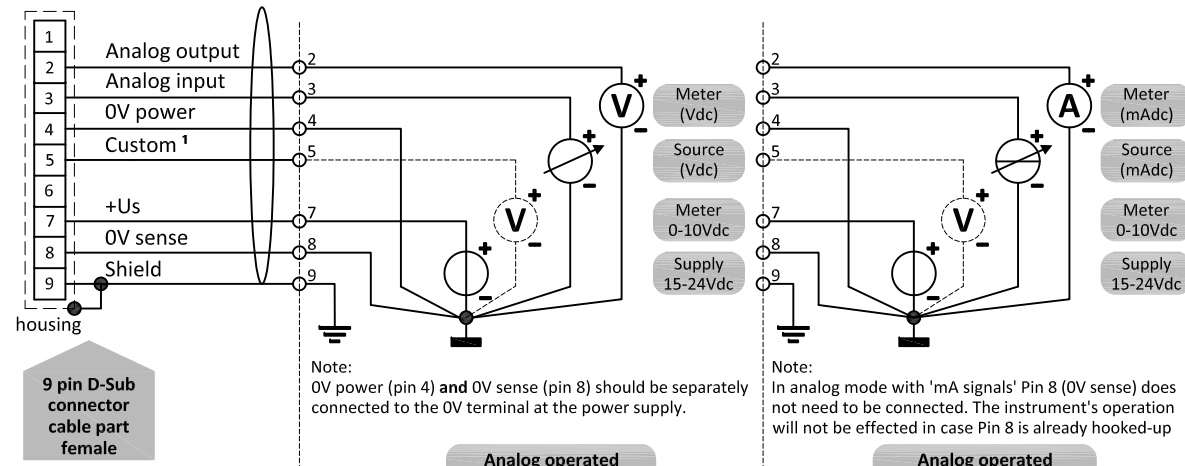
Note:

When using a field bus or RS232, it is not possible to operate the instrument by using the setpoint signal of the analog D-sub connector without changing the value of parameter "control mode". See doc.nr. 9.17.023 for more details.

Do not connect an external valve to instruments, set as MFM or EPM.

- | | |
|---|---------------|
| 1 | Analog output |
| 2 | Analog input |
| 3 | 0V power |
| 4 | Custom 1 |
| 5 | RX-RS232/BUS |
| 6 | +Us |
| 7 | 0V sense |
| 8 | Shield |
| 9 | Shield |
- housing

9 pin D-Sub
connector
cable part
female



Analog operated
0-5 or 0-10Vdc

Analog operated
0-20 or 4-20mAdc