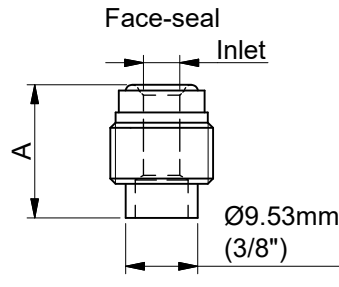


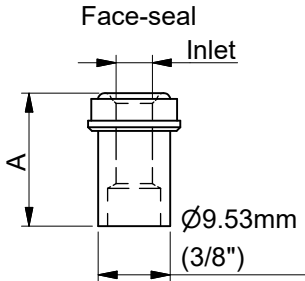
*) Dimension A is typical finger-tight.

Compression type		3/8" tube
		A
adapter	3mm OD	18.0mm
adapter	6mm OD	19.2mm
adapter	8mm OD	26.6mm
adapter	10mm OD	39.7mm
adapter	12mm OD	42.4mm
adapter	1/16" OD	15.6mm
adapter	1/8" OD	18.1mm
adapter	1/4" OD	19.6mm
adapter	3/8" OD	26.6mm
adapter	1/2" OD	42.2mm



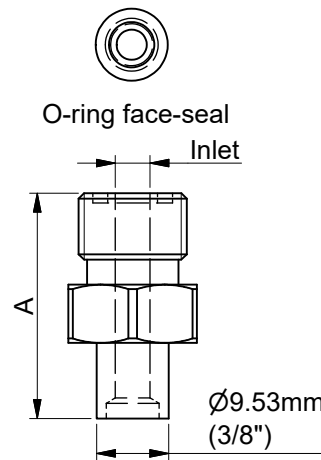
tol. dimension A = ±0.1

Face seal male		3/8" tube
		A
adapter	1/8" inlet	13.7 mm
adapter	1/4" inlet	17.6 mm
adapter	1/2" inlet	37.6 mm



tol. dimension A = ±0.1

Face seal female		3/8" tube
		A
adapter	1/4" inlet	17.6mm

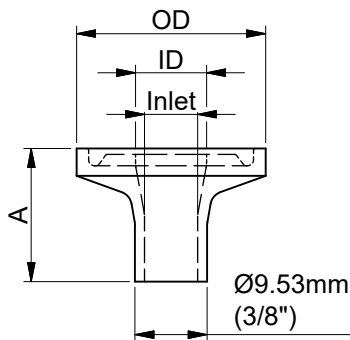


tol. dimension A = ±0.1

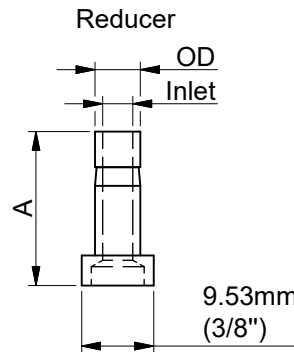
O-ring face seal		3/8" tube
		A
adapter	1/4" inlet	29.8mm
adapter	1/2" inlet	32.8mm

Tri Clamp	3/8" tube			
	A	Inlet	ID	OD
Tri Clamp 1/2" inlet	17.6mm	Ø7mm	Ø9.4mm	Ø25mm
Tri Clamp 1/4" inlet	17.6mm	Ø7mm	Ø4.57mm	Ø25mm

Tri Clamp
DIN32676-C



tol. dimension A = ±0.2



tol. dimension A = ±0.2

Reducer		3/8" tube
		A
Reducer	6mm OD	20.4mm
Reducer	1/4" OD	20.4mm

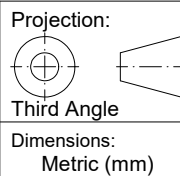
Title: Dimensions weld adapters

Drawn by: R.Kn.
Date: 07-02-2007

Revision Description:
Added weld adapter 1/2" o-ring FS to table.

Rev. by: R.Ge.
Date: 15-06-2023

Checked: F.L.
Date: 15-06-2023



Drawing no.:	7.05.672	Rev:	I	Scale:	1 : 1	A4
				Page:	1 - 1	